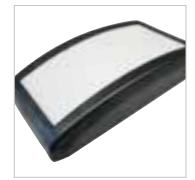


FLOW AIDS



THE WORLDWIDE LEADER IN VIBRATION TECHNOLOGY







Intro

Company profile	4
Why use flow aids?	6
Where use flow aids?	6
Product range	7

Internal applications

AERATORS	8
VBS - Bin aerators	9
VBS - External mounting kit	10
VBT - Tank truck aerators	11
I100 - Aeration pads	12
U - Aeration nozzles	13
AIR JET	14
PG - Air blasts	15
PJ - Combined hammer blasts	16

External applications

LINEAR PNEUMATIC VIBRATORS	18
PS - Single impact	19
P - Continuous impact	20
K - Cushioned	22
F - Adjustable cushioned	23
ROTARY PNEUMATIC VIBRATORS	24
S - Ball	25
OR - Roller	26
OT - Turbine	27
ELECTRIC VIBRATORS	28
MVE-MICRO - 2 poles	29
MVE - 2 poles	30
MVE-DC - Direct current	32
HYDRAULIC VIBRATORS	34
MVO	35



Worldwide leader in vibration technology

OLI is the world's top selling manufacturer of Electric and Pneumatic Vibrators.

A high level of customer service is guaranteed through 18 OLI Trading Subsidiaries, 36 local warehouses and 3 manufacturing plants worldwide.

OUR 3 DIVISIONS

PROVIDE CUSTOMERS WITH OPTIMAL SOLUTIONS FOR ALL REQUIREMENTS

INDUSTRIAL VIBRATORS



Electric motovibrators for vibrating equipments.

FLOW AIDS



Comprehensive range of electric and pneumatic vibrators to solve any problem of flowability.

CONCRETE CONSOLIDATION



Internal concrete vibrators and converters for reliable and efficient concrete compaction.

Originally specialising in immersion vibrators for concrete consolidation, OLI is now the worldwide leader in vibration technology, with a **complete range of electric and pneumatic internal and external vibrators**.

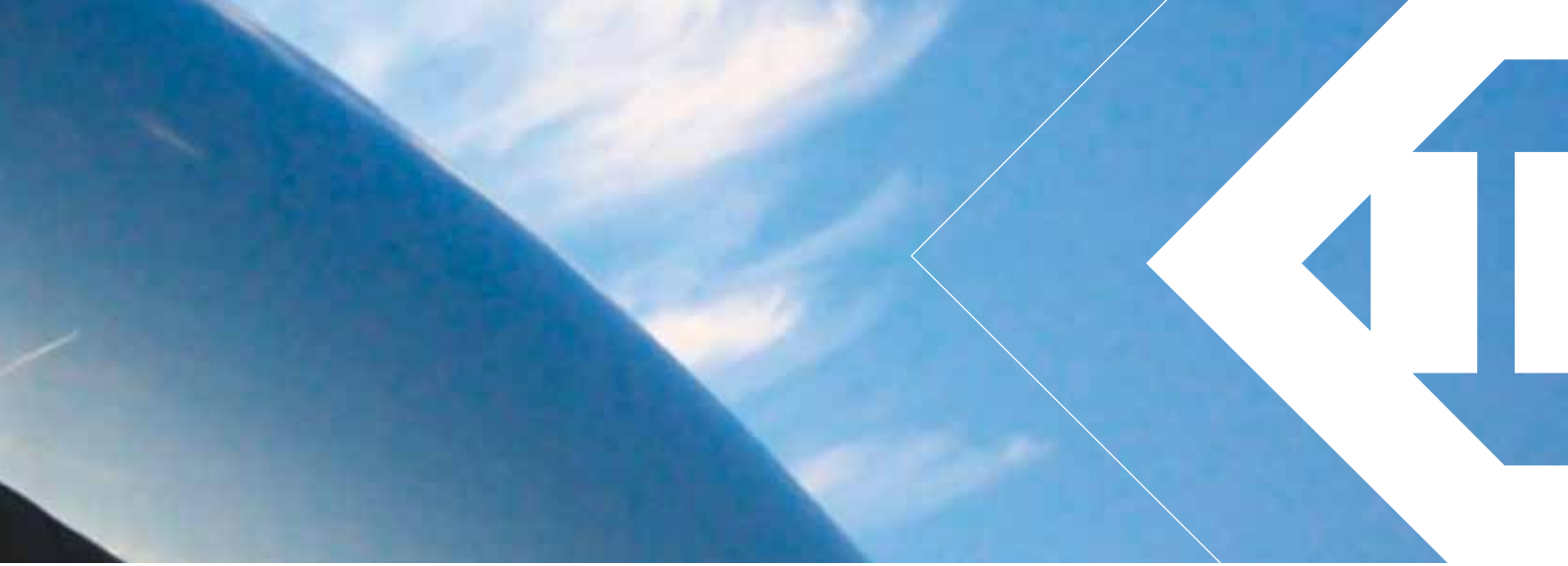
By supplying **competitive, high quality products for wide-ranging applications**, OLI combines **performance** and **reliability** by adapting to the ever-changing market. A strong believer in innovation, OLI is constantly striving to be ahead of the opposition.

As a global player in industrial vibration technology, the key focus of OLI's business strategy is **rapid stock delivery, any time, anywhere in the world**.

Excellent customer service is of pivotal importance: the company guarantees **quick order processing** and customers worldwide can enjoy access to the same high quality product and services.

OLI has access to credible expertise when it comes to finding suitable solutions to customers' requests. A team of engineers specialised in designing efficient, reliable and safe solutions backed by a **globally certified management**.

OLI provide their customers with state-of-the-art equipment and the blueprint for the next generation of products is already in progress.



SMART POWDER HANDLING

More than 50 years of **EXPERIENCE** in solving material handling problems make OLI the ideal partner for customers across all industries.

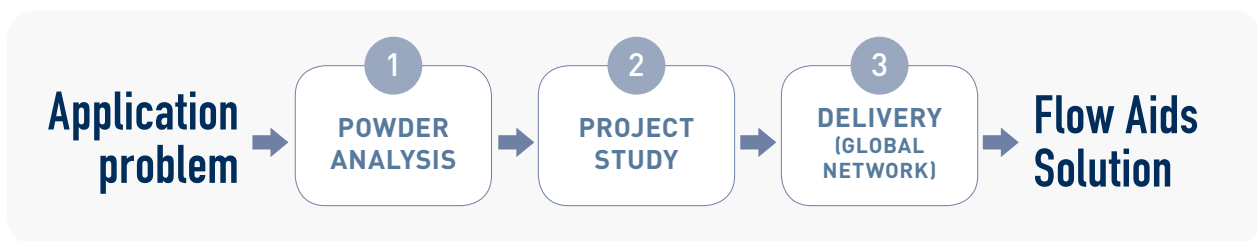
A **GROUP OF SPECIALISTS** is at the customers' disposal to study and offer solutions that perfectly suit any type of application and material present on the market.

OLI analyses problems in the most comprehensive

way: the type of powder to be handled, environmental conditions and the type of process. The **CUSTOMER'S NEEDS** will always be at the centre of attention.

OLI's **GLOBAL SALES NETWORK** assists customers locally in over 50 countries ensuring ex-stock delivery from the subsidiaries' own warehouses.

OLI GUIDES YOU TO THE RIGHT CHOICE



ONLINE SIZING CALCULATOR

NOT TOO BIG, NOT TOO SMALL, JUST RIGHT

To complete the service to the customer, OLI has created an application that guides to the choice of the most suitable vibrator for the project, step-by-step.

OLIVIBRA CALCULATOR - MAIN FEATURES

- Available on-line
- Real-time updates
- Multilingual platform



WHY USE FLOW AIDS?

SITUATION

Due to their characteristics, many **POWDERS** inside silos, hoppers, chutes, piping, tanks or any other container will tend to **STICK TO THE SURFACE**.

PROBLEM

Any small change in the opening of the outlet, a rough surface, bends, shallow angles, the shape of the container, as well as the particle shape of the material handled might slow down the flow of the product, thus generating **WASTE**.

SOLUTION

FLOW AIDS are designed to solve issues caused by design errors or by the characteristics of the powder or granules handled. Moreover, they **INCREASE PROCESS EFFICIENCY** and **IMPROVE PLANT SAFETY**.



WHERE USE FLOW AIDS?

Industries

- Food
- Animal feed
- Fertilizers
- Agriculture
- Pharmaceuticals
- Chemicals
- Plastics
- Cement
- Glass
- Air treatment
- Automotive
- Mining

Applications

- Silos
- Hoppers
- Slides and chutes
- Piping
- Threshers
- Dump trucks

Benefits

- Safe
- Economic
- Robust
- Reliable
- Easy to install
- High performance
- Global availability
- Increased productivity



PRODUCT RANGE

INTERNAL APPLICATION → IN CONTACT WITH MATERIAL

AERATORS	AIR JET
VIBRO-AERATOR VB	AIR CANNON PG
AERATION PAD I100	COMBINED HAMMER BLAST PJ
AERATION NOZZLE U	

EXTERNAL APPLICATION → NOT IN CONTACT WITH MATERIAL

PNEUMATIC VIBRATORS		ELECTRIC VIBRATORS	HYDRAULIC VIBRATORS
LINEAR	ROTARY	2 POLES 1PH OR 3PH MVE	MVO
SINGLE IMPACT PS	BALL S	2 POLES 1PH OR 3PH MVE-MICRO	
CONTINUOUS IMPACT P	ROLLER OR	DIRECT CURRENT MVE-DC	
CUSHIONED K, F	TURBINE OT		

INTERNAL APPLICATION

AERATORS

PRODUCT SERIES

BIN AERATORS
VB



APPLICATIONS

Silos
Hoppers
Pipes
Dry bulk tank trailers
Dry bulk rail tankers

POWDERS

Dry, fine powders.
Cement
Lime
Pigments
Plastics
Starch
Flour
Sugar
Coffee

FEATURES

Compatible with foods and chemicals.

BENEFITS

Economical
Easy to install
Efficient
Durable
Available in two sizes (MICRO or standard)
External mounting

AERATION PADS
I100



Silos
Hoppers

Dry, fine powders.
Suitable for cement, lime

Low air consumption (0.2 bar pressure).
Create fluid bed.

Economical
Easy to install
External mounting kit

AERATION NOZZLES
U



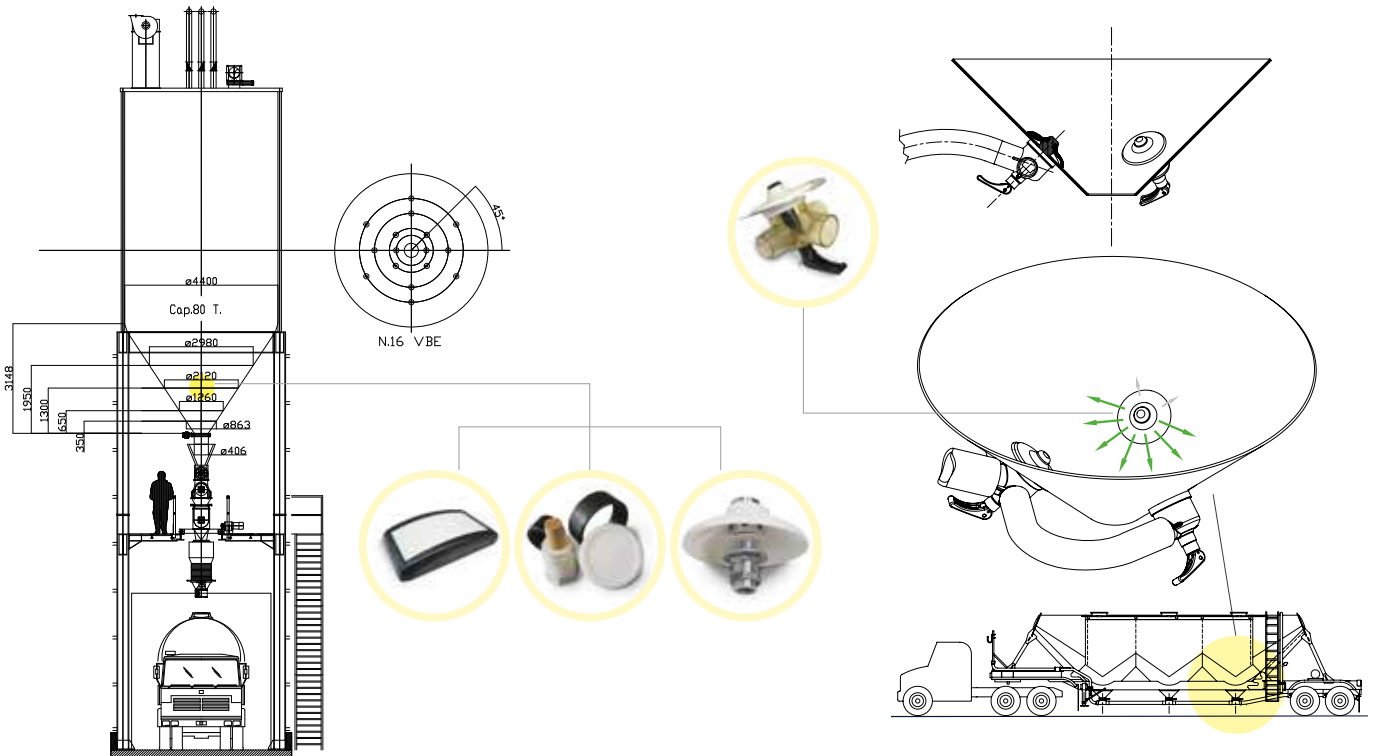
Silos
Hoppers

Dry, fine powders.
Suitable for cement, lime

Low air consumption (0.2-1 bar pressure).
Create fluid bed.

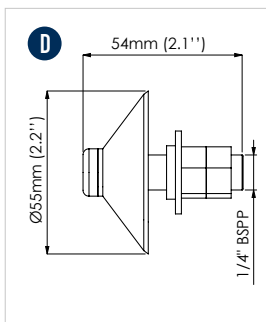
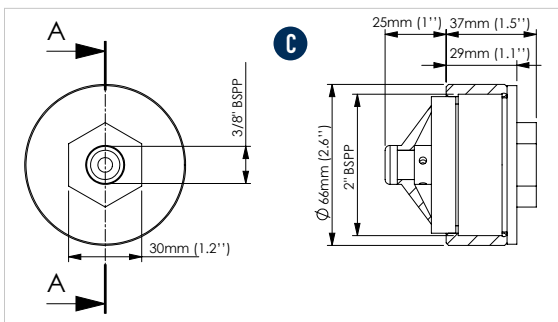
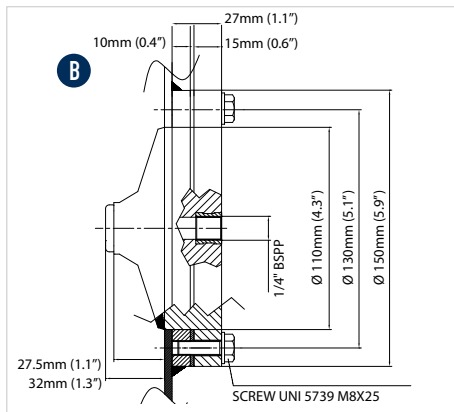
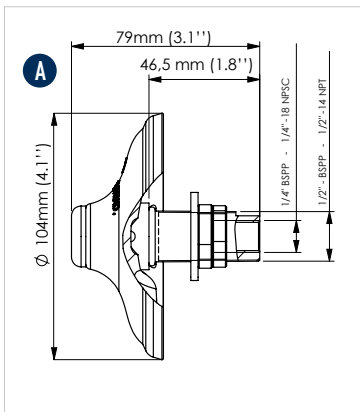
Economical
Easy to install
Compact design
Suitable for retrofitting
External mounting

APPLICATIONS





VBS - Bin aerators



MODEL	DRAWING	MEMBRANE COLOUR	STEM MATERIAL	AIR CONSUMPTION								WORKING TEMPERATURE			
				0.8 bar (11.6 psi)		2 bar (29 psi)		4 bar (58 psi)		6 bar (87 psi)		°C		°F	
				l/min	Cfm	l/min	Cfm	l/min	Cfm	l/min	Cfm	Min.	Max.	Min.	Max.
VBS	A	White	Aluminium	600	20.0	800	28.0	950	33.0	1150	40.0	-40	170	-40	338
VBSI	A	White	Stainless steel	600	20.0	800	28.0	950	33.0	1150	40.0	-40	170	-40	338
VBSIHT	A	Red	Stainless steel	600	20.0	800	28.0	950	33.0	1150	40.0	-40	235	-40	455
VBSIMD	A	Blue	Stainless steel	600	20.0	800	28.0	950	33.0	1150	40.0	-40	170	-40	338
VBE	B	White	Nylon	-	-	100	3.5	150	5.3	250	8.8	-40	80	-40	176
VBSME	C	White	Nylon	130	4.6	150	5.3	-	-	-	-	-40	80	-40	176
VBSM	D	White	Aluminium	130	3.5	150	5.0	-	-	-	-	-40	170	-40	338
VBSMI	D	White	Stainless steel	130	3.5	150	5.0	-	-	-	-	-40	170	-40	338
VBSMIHT	D	Red	Stainless steel	130	3.5	150	5.0	-	-	-	-	-40	235	-40	455
VBSMIMD	D	Blue	Stainless steel	130	3.5	150	5.0	-	-	-	-	-40	170	-40	338

VBS - BIN AERATORS

APPLICATION	Silos, hoppers, pipes
POWDER	Dry, fine, granular
PROBLEM SOLVING	Bridge and rat-holing

FEATURES

DUTY CYCLE	Continuous or discontinuous
WORKING PRESSURE	From 0.8 bar to 6 bar (from 12 psi to 87 psi) - Suggested: 4 bar (58 psi) VBSMicro: from 0.8 bar to 2 bar (from 12 psi to 29 psi)
PNEUMATIC CIRCUIT	Filter + flow control valve
AIR SUPPLY QUALITY	Non-Lubricated (Class. 5.4.1)
TECHNOLOGY	Vibro-Aerator
MATERIAL	Silicone membrane [food grade] - FDA 177.2600 Aluminium / stainless steel stem [Food & Pharmaceutical grade] Nylon body with steel ring [VBSE]

OPTIONS

EXTERNAL MOUNTING KIT	Stainless steel rectangular plate and fitting bracket
-----------------------	---

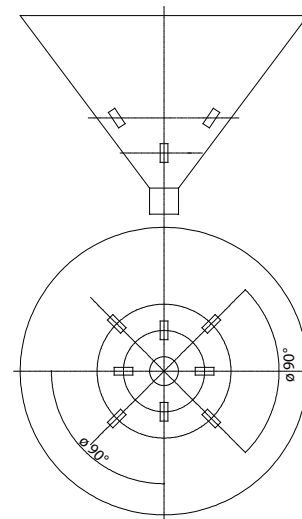
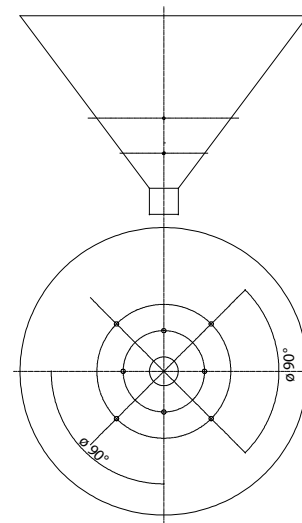
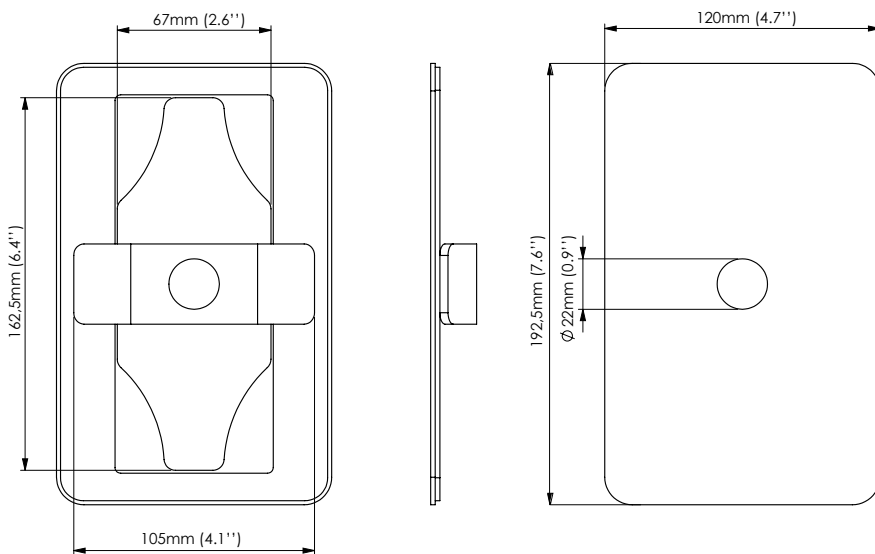
This information is furnished without warranty, representation, inducement or license of any kind. It is accurate to the best OLI knowledge or is obtained from sources believed to be accurate. OLI therefore assumes no legal responsibility.



VBS - External mounting kit



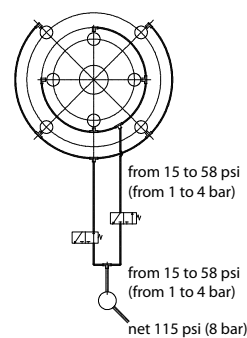
*** THE VBS IS NOT INCLUDED IN THE EXTERNAL MOUNTING KIT**



EXTERNAL MOUNTING KIT

PROBLEM SOLVING	Allows the installation on silos that are difficult to reach from the inside
MATERIAL	Stainless steel rectangular plate
SIZE	120 x 192.5 mm [4.72" x 7.58"]
CUT OUT SIZE	67 x 162.5 mm [2.64" x 6.40"]

FLUIDIZER PNEUMATIC CIRCUITS

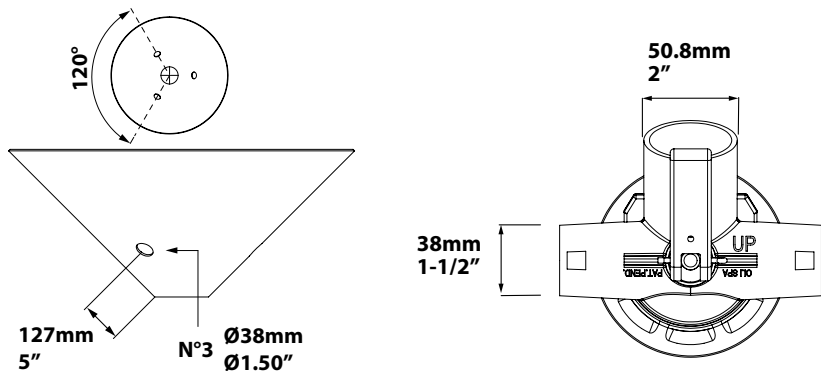


This information is furnished without warranty, representation, inducement or license of any kind. It is accurate to the best OLI knowledge or is obtained from sources believed to be accurate. OLI therefore assumes no legal responsibility.

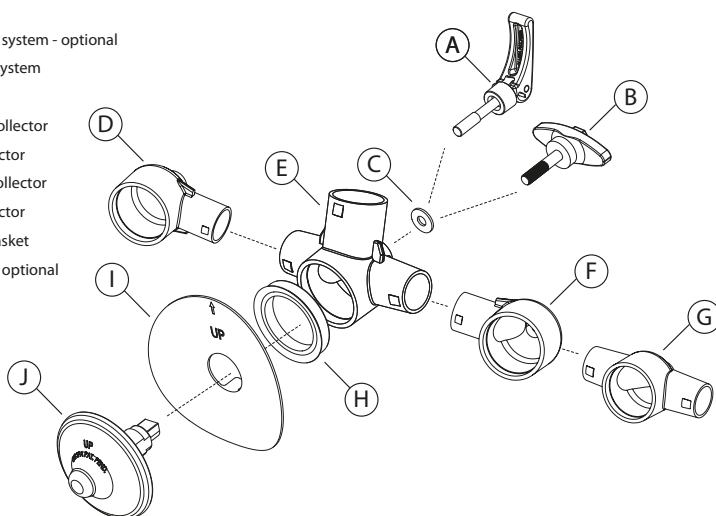




VBT - Tank truck aerators



- (A) Cam lever lock system - optional
- (B) T-handle lock system
- (C) Gasket
- (D) RH 1-Way air collector
- (E) 3-Way air collector
- (F) LH 1-Way air collector
- (G) 2-Way air collector
- (H) Air collector gasket
- (I) Hopper saver - optional
- (J) Membrane



VBT SERIES

APPLICATION	Dry bulk tank trailer, rail tanker
POWDER	Dry, fine, granular
PROBLEM SOLVING	Bridging and rat-holing

FEATURES

DUTY CYCLE	Continuous (suitable to be used with blower)
WORKING PRESSURE	From 0.7 bar to 2 bar (from 10 psi to 29 psi)
PNEUMATIC CIRCUIT	Suitable standard pneumatic bulk trailer, works with all standard designs
WORKING TEMPERATURE	From -40 °C to 170 °C (from -40 °F to 340 °F)
TECHNOLOGY	Vibro-aeration
MATERIAL	Blue silicone membrane: metal detectable, comply with FDA 177.2600 Stem - Black polyarylamide glass-fiber reinforced comply with 10/2011/EC - FDA - UL94 Manifold - Black polyarylamide glass-fiber reinforced comply with 10/2011/EC - FDA - UL94 Manifold - Transparent material comply with ISO 10993 - FDA 21 CFR 177.1655 - NSF 51 - UL94 Lever and T-handle - Black polyarylamide glass-fiber reinforced / Stainless steel thread shaft Silicone gasket

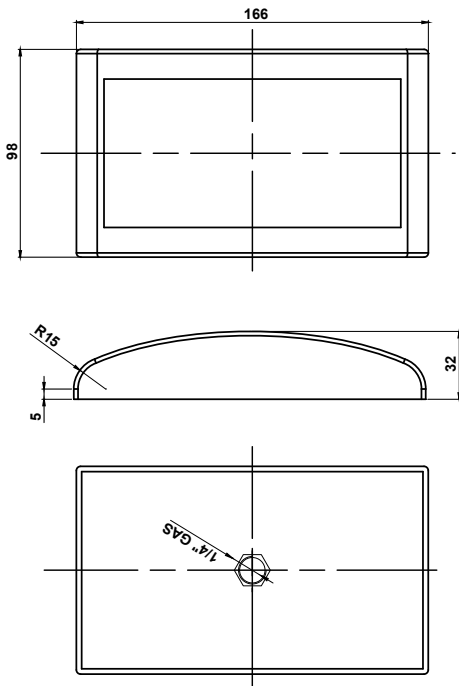
OPTIONS

CAM LEVER	Shaft material: AISI304
HOPPER SAVER PLATE	Stainless steel

This information is furnished without warranty, representation, inducement or license of any kind. It is accurate to the best OLI knowledge or is obtained from sources believed to be accurate. OLI therefore assumes no legal responsibility.



I100 - Aeration pads



MODEL	AIR CONSUMPTION	
	0.2 bar (2.9 psi)	
	l/min	cfm
I100	2	0.07

I100 - AERATION PADS

APPLICATION Hopper and silo

POWDER Fine and dust (cement and lime)

PROBLEM SOLVING Bridge and rat-holing

FEATURES

DUTY CYCLE Continuous

WORKING PRESSURE 0.2 bar (2.9 psi)

PNEUMATIC CIRCUIT Filter + flow control valve

AIR SUPPLY QUALITY Class 5.4.1.

WORKING TEMPERATURE From -20 °C to 80 °C (from -4 °F to 176 °F)

TECHNOLOGY Fluidification

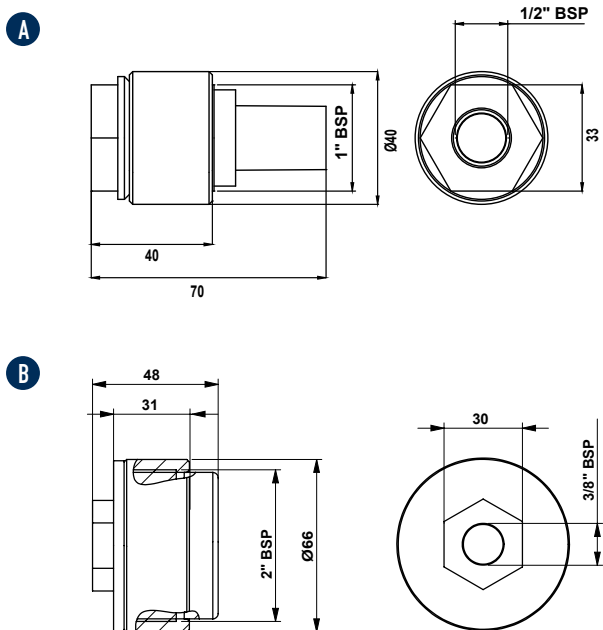
MATERIAL Sintered PET filter, PS body

This information is furnished without warranty, representation, inducement or license of any kind. It is accurate to the best OLI knowledge or is obtained from sources believed to be accurate. OLI therefore assumes no legal responsibility.





U - Aeration nozzles



MODEL	DRAWINGS	AIR CONSUMPTION			
		0.2 bar (2.9 psi)		1 bar (14 psi)	
		l/min	Cfm	l/min	Cfm
U025	A	0.83	0.03	-	-
U060	B	-	-	30	1.1

U - AERATION NOZZLES

APPLICATION	Hopper and silo - piping
POWDER	Fine and dust (cement and lime)
PROBLEM SOLVING	Bridge and rat-holing

FEATURES

DUTY CYCLE	Continuous
WORKING PRESSURE	From 0.2 bar to 1 bar (from 2.9 psi to 14 psi)
PNEUMATIC CIRCUIT	Filter + flow control valve
AIR SUPPLY QUALITY	Class 5.4.1
WORKING TEMPERATURE	From -20 °C to 80 °C (from -4 °F to 176 °F)
TECHNOLOGY	Fluidification
MATERIAL	U060 - ring carbon steel, sintered PE filter, Nylon (UV resistant) body U025 - ring carbon steel, sintered brass filter, Nylon (UV resistant) body

This information is furnished without warranty, representation, inducement or license of any kind. It is accurate to the best OLI knowledge or is obtained from sources believed to be accurate. OLI therefore assumes no legal responsibility.

INTERNAL APPLICATION



PRODUCT SERIES

Air blasts - Gunjet
PG



APPLICATIONS

Silos
Hoppers

POWDERS

Powders of large particle size and irregular shape; fibrous powders and flakes.

Wood fibres
Textile fibres
Paper
Plastics
Bran

FEATURES

Compact design with integrated solenoid valve.
The air blade generated by the high pressure jet helps to clean the hopper surface.

BENEFITS

Suitable for bridge breaking
Economical
Easy to install
Low air consumption
Mounting plate included

Combined Hammer Blasts - Picjet
PJ



Silos
Hoppers

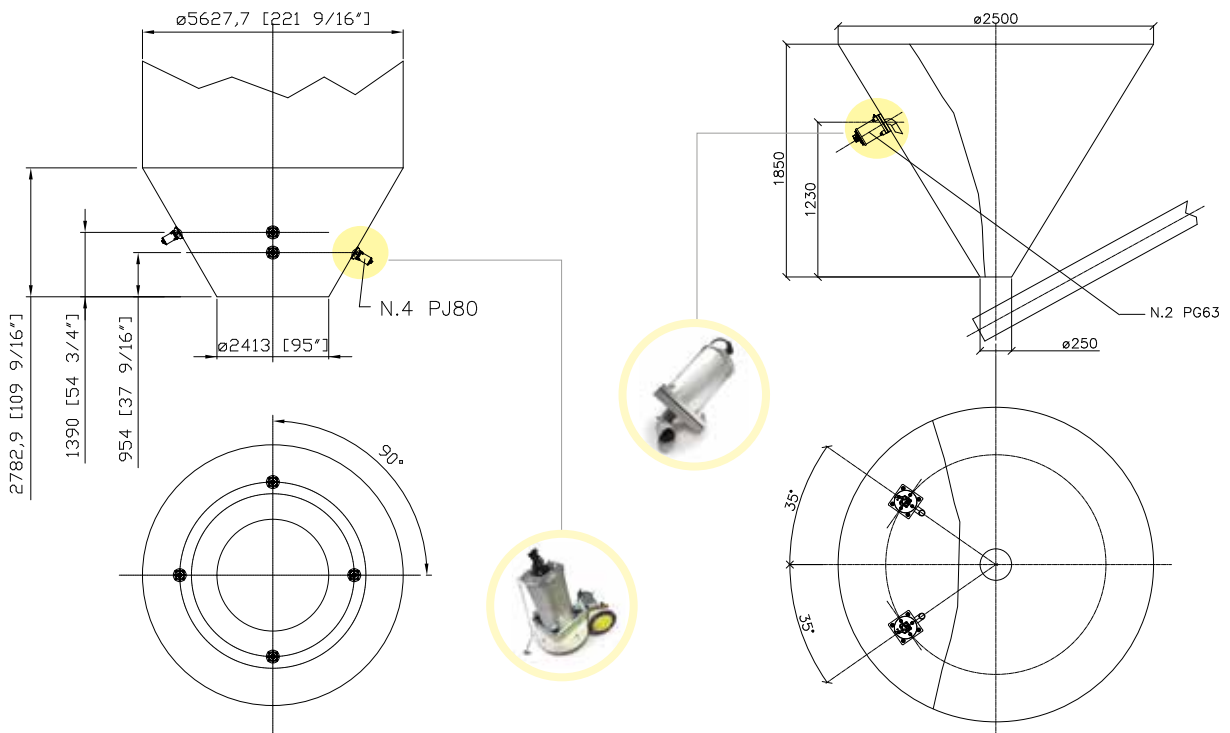
Lime and ceramic powders.

Cement
Ashes
Vegetable meals
Fertilizers
Detergents
Pigments
Clay
Oxides

Compact design with integrated solenoid valve.
The combined effect of the air jet plus. Single impact ensures excellent results in eliminating bridging or ratholing.

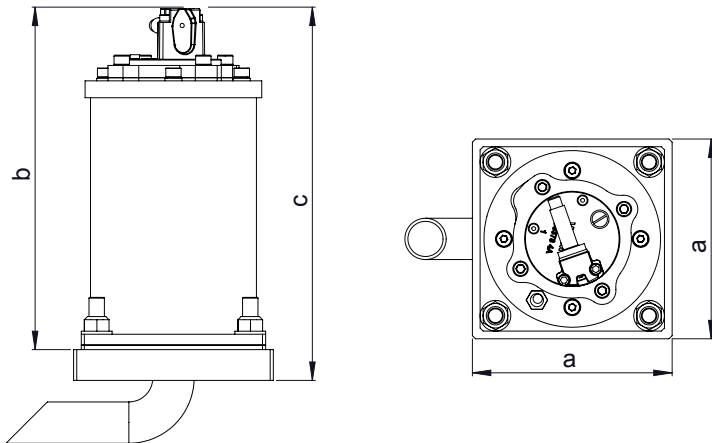
Efficient
Easy to install
Combined effect
Innovative
Supplied with mounting plate

APPLICATIONS





PG - Air blasts



MODEL	AIR CONSUMPTION (NL)		I Ø PIPE mm	AIR INLET BSPP	DIMENSIONAL SPECIFICATIONS		
	3 bar	6 bar			A mm	B mm	C mm
	PG 40	3.6	5.3	6	1/8" BSPP	130	220
PG 63	6.4	11.6	8	1/4" BSPP	160	260	283
PG 80	12.5	21.0	8	1/4" BSPP	200	308	336

PG - AIR BLASTS

APPLICATION	Hopper and silo
POWDER	Large size, irregular shape, fibrous dust and flakes
PROBLEM SOLVING	Bridge and rat-holing

FEATURES

DUTY CYCLE	Discontinuous
WORKING PRESSURE	From 3 bar to 6 bar (from 43 psi to 87 psi)
PNEUMATIC CIRCUIT	Filter + flow control valve
AIR SUPPLY QUALITY	Class 5.4.1.
WORKING TEMPERATURE	From -20 °C to 80 °C (from -4 °F to 176 °F)
MAX NOISE LEVEL	105 dB (a)
TECHNOLOGY	High pressure jet
MATERIAL	Steel body and plate, PS040-063 nylon (PS080 aluminium) head

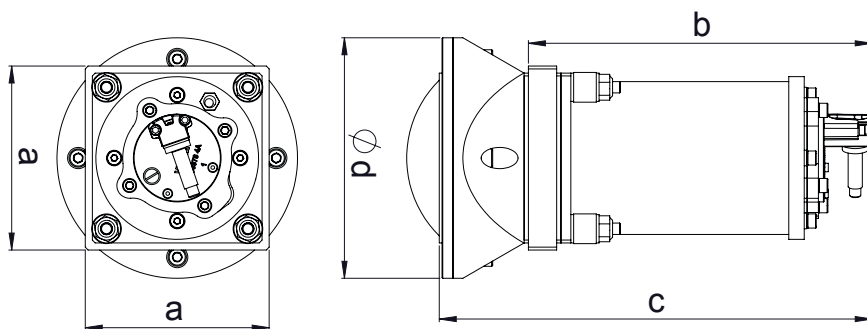
OPTIONS

TIMER	Adjustable from 30sec to 45min
MULTI-TENSION COILS	From 24v (Ac/Dc) to 230v
FULLY PNEUMATIC KIT	Available

This information is furnished without warranty, representation, inducement or license of any kind. It is accurate to the best OLI knowledge or is obtained from sources believed to be accurate. OLI therefore assumes no legal responsibility.



PJ - Air Jet - Combined hammer blasts



DIMENSIONAL SPECIFICATIONS

MODEL	A	B	C	ØD
	mm	mm	mm	mm
PJ 40	130	220	306	170
PJ 63	160	260	363	222
PJ 80	200	308	435	280

MODEL	ENERGY (J)	FORCE (N)	ENERGY (J)	FORCE (N)	AIR CONSUMPTION (NL)		I Ø PIPE	AIR INLET
	3 bar		6 bar		3 bar	6 bar	mm	BSPP
PJ 40	8.4	199	18.1	429	3.6	5.3	6	1/8" BSPP
PJ 63	28.8	589	62.0	1268	6.4	11.6	8	1/4" BSPP
PJ 80	59.2	846	153.0	2186	12.5	21.0	8	1/4" BSPP

PJ - AIR JET - COMBINED HAMMER BLASTS

APPLICATION	Hopper and silo
POWDER	Fine and dust
PROBLEM SOLVING	Bridge and rat-holing

FEATURES

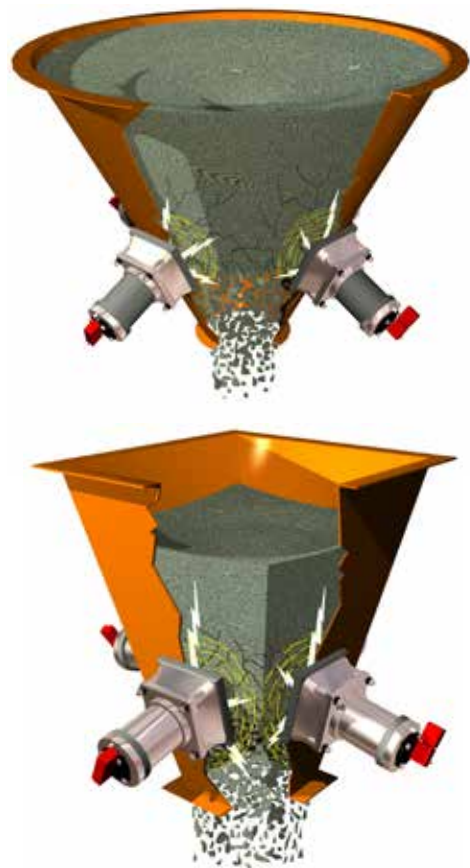
DUTY CYCLE	Discontinuous
WORKING PRESSURE	From 3 bar to 6 bar (from 43 psi to 87 psi)
PNEUMATIC CIRCUIT	Filter + flow control valve
AIR SUPPLY QUALITY	Class 5.4.1.
WORKING TEMPERATURE	From -20 °C to 80 °C (from -4 °F to 176 °F)
MAX NOISE LEVEL	125 dB(a)
TECHNOLOGY	Single impact + high pressure blast
MATERIAL	Steel body, nylon base, steel attachment plate, PS040-063 nylon (PS080 aluminium) head

OPTIONS

TIMER	Adjustable from 30sec to 45min
MULTI-TENSION COILS	From 24V (ac/dc) to 230V
FULLY PNEUMATIC KIT	Available





This information is furnished without warranty, representation, inducement or license of any kind. It is accurate to the best OLI knowledge or is obtained from sources believed to be accurate. OLI therefore assumes no legal responsibility.



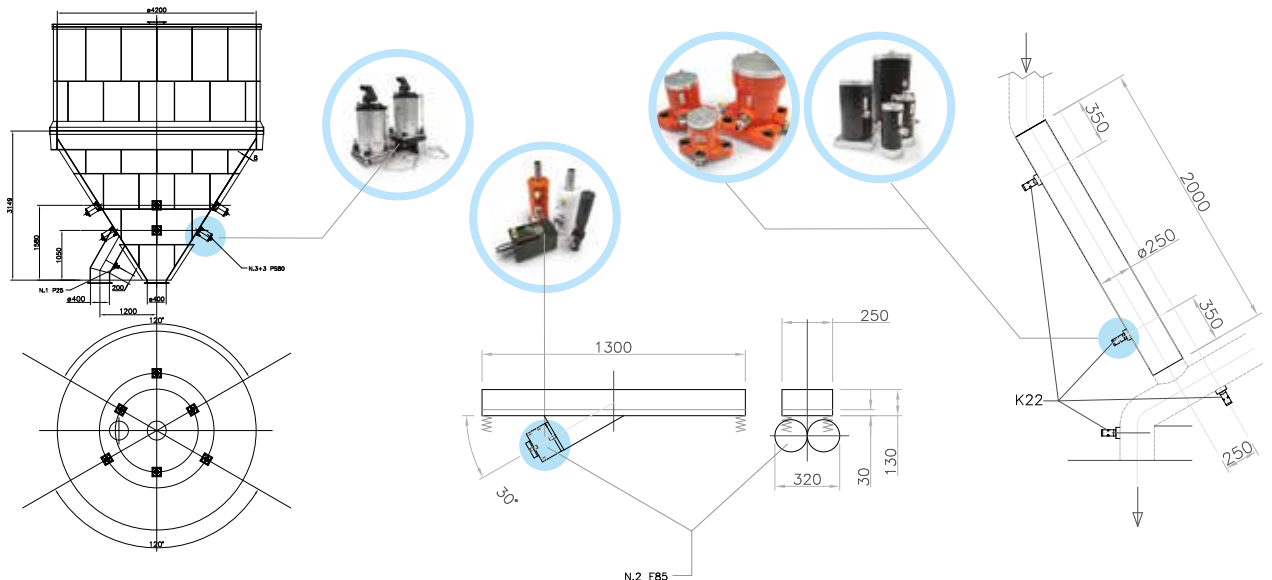


EXTERNAL APPLICATION

LINEAR PNEUMATIC VIBRATORS

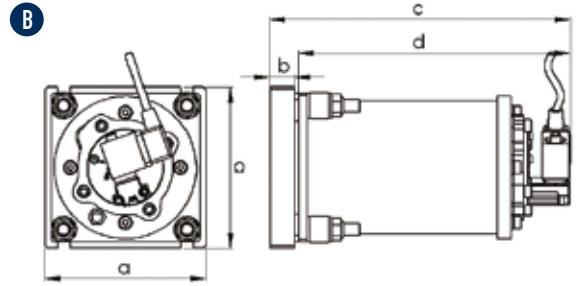
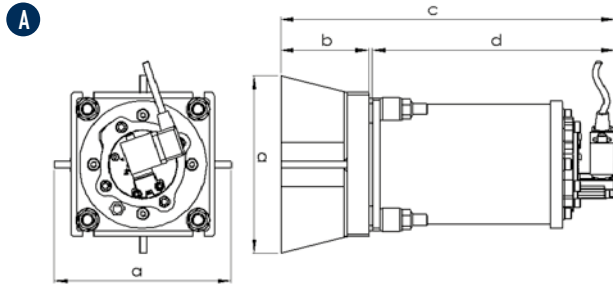
PRODUCT SERIES	APPLICATIONS	POWDERS	FEATURES	BENEFITS
SINGLE IMPACT - MARTSHOCK PS 	Silos Storage systems Hoppers	Hygroscopic powders. Flour Detergents Phosphates Fertilizers Lime Cement Clay Pigments	High impact strength solves bridging or rat holing problems. Atex II3D c T85 °C (pneumatic only).	Economical Low air consumption Efficient Zero impact on silo structure Multi-voltage Integrated solenoid valve Timer
CONTINUOUS IMPACT P 	Silos Hoppers Piping Salt spreaders Dump trucks Rail cars	Hygroscopic, humid powders. Sludge Aggregates Sand Salt Foundry sand Animal feed	Sturdy, compact heavy-duty design, high temperature applications. Atex II2G c Tx Atex II2D c Tx.	Economical Low air consumption Efficient Suitable for high temperature and outdoor applications
CUSHIONED K 	Silos Hoppers Piping Tanks Compacting Vibrating feeders, tables and channels	Hygroscopic or dusty powders, granules. Animal feed Aggregates Plastics Foods	Suitable for food or chemical applications Suitable for dusty environments. Atex II2G c Tx Atex II2D c Tx	Economical Silent Low air consumption Easy to install
ADJUSTABLE CUSHIONED F 	Hoppers Chutes Vibrating feeders, Tables and channels	Hygroscopic or dusty powders; granules.	Alternative option to K. Compact design. Available in different shapes and casing materials. Threaded shaft for amplitude and force adjustment. Atex II2G c Tx Atex II2D c Tx	Economical Silent Low air consumption Easy to install Adjustable force and vibration frequency

APPLICATIONS





PS - Linear pneumatic vibrators - Single impact



DIMENSIONAL SPECIFICATIONS - PS TYPE "A" [≤ 3mm HOPPER THICKNESS]

MODEL	A	B	C	D
	mm	mm	mm	mm
PS 40	160	80	302	219
PS 63	200	95	357	259
PS 80	250	119	430	308

DIMENSIONAL SPECIFICATIONS - PS TYPE "B" [> 3mm HOPPER THICKNESS]

MODEL	A	B	C	D
	mm	mm	mm	mm
PS 40	130	20	242	219
PS 63	163	20	282	259
PS 80	200	25	336	308



MODEL	ENERGY (J)	FORCE (N)	ENERGY (J)	FORCE (N)	AIR CONSUMPTION (l)		I Ø PIPE	AIR INLET
	3 bar		6 bar		3 bar	6 bar	mm	BSPP
	PS 40	8.4	199	18.1	429	3.6	5.3	6
PS 63	28.8	589	62.0	1268	6.4	11.6	8	1/4" BSPP
PS 80	59.2	846	153.0	2186	12.5	21.0	8	1/4" BSPP

PS - LINEAR PNEUMATIC VIBRATORS - SINGLE IMPACT

APPLICATION	Hopper and silo
POWDER	Hygroscopic
PROBLEM SOLVING	Bridge and rat-holing

FEATURES

DUTY CYCLE	Discontinuous
WORKING PRESSURE	From 3 bar to 6 bar (from 43 psi to 87 psi)
PNEUMATIC CIRCUIT	Filter + flow control valve
AIR SUPPLY QUALITY	Class 5.4.1.
WORKING TEMPERATURE	From -20 °C to 80 °C (from -4 °F to 176 °F)
MAX NOISE LEVEL	125 dB(a)
TECHNOLOGY	Single impact
MATERIAL	Steel body, steel attachment plate, PS040-063 nylon (PS080 aluminium) head

OPTIONS

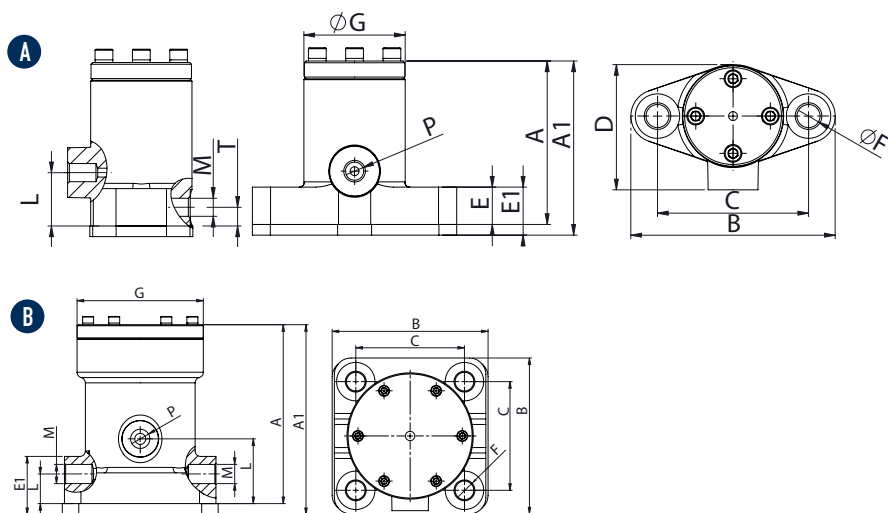
KIT ATEX	II 3D c T85 °C - PP plate, technothane tablet
TIMER	Adjustable from 30sec to 45min
MULTI-TENSION COILS	From 24V (ac/dc) to 230V
FULLY PNEUMATIC KIT	Available

This information is furnished without warranty, representation, inducement or license of any kind. It is accurate to the best OLI knowledge or is obtained from sources believed to be accurate. OLI therefore assumes no legal responsibility.





P - Linear pneumatic vibrators - Continuous impact



DIMENSIONAL SPECIFICATIONS

MODEL	DRAW.	A		A1		B		C		D		E		E1		F		G		H		P		L		M		N		WEIGHT	
		mm	in	mm	in	mm	in	mm	in	mm	in	mm	in	mm	in	mm	in	mm	in	mm	in	IN BSPP	mm	in	OUT BSPP	mm	in	kg	lb		
P25	A	92	3.6	98	3.9	115	4.5	85	3.3	70	2.8	21	0.8	27	1.1	13	0.5	58	2.3	30	1.2	1/4"	10	0.4	1/4"	25	1.0	2.2	4.9		
P40	A	121	4.8	127	5.0	148	5.8	110	4.3	91	3.6	25	1.0	31	1.2	17	0.7	75	3.0	45	1.8	3/8"	16	0.6	3/8"	35	1.4	4.5	9.9		
P60	B	163	6.4	173	6.4	138x142	5.4x5.5	99x99	3.9x3.9	125	4.9	28	1.1	38	1.5	17	0.7	115	4.5	60	2.4	1/2"	27	1.1	2x1/2"	60	2.4	11	24.3		

MODEL	2 bar (29 psi)								4 bar (58 psi)								6 bar (87 psi)							
	VIBRA-TION		FORCE		WORKING MOMENT		AIR CONSUMP.		VIBRA-TION		FORCE		WORKING MOMENT		AIR CONSUMP.		VIBRA-TION		FORCE		WORKING MOMENT		AIR CONSUMP.	
	V/min	N	lb	kgcm	inlb	l/min	Cfm	V/min	N	lb	kgcm	inlb	l/min	Cfm	V/min	N	lb	kgcm	inlb	l/min	Cfm			
P25	2500	294	66	0.43	0.37	55	1.9	3800	680	153	0.43	0.37	80	2.8	4500	954	214	0.43	0.37	125	4.4			
P40	1650	484	109	1.63	1.41	70	2.5	2200	860	193	1.63	1.41	120	4.2	2800	1396	314	1.63	1.41	150	5.3			
P60	1200	1296	291	4.11	3.57	100	3.5	1600	2304	518	4.11	3.57	250	8.8	1900	3250	731	4.11	3.57	300	10.6			

P - LINEAR PNEUMATIC VIBRATORS - CONTINUOUS IMPACT

APPLICATION Hopper silo - salt spreader - dump trailer - rail cart

POWDER Hygroscopic - humid - sticky

PROBLEM SOLVING Bridge and rat-holing

FEATURES

DUTY CYCLE Continuous

WORKING PRESSURE From 2 bar to 6 bar (from 29 psi to 87 psi)

PNEUMATIC CIRCUIT Filter + flow control valve + lubrication + 3/2 ways valve

AIR SUPPLY QUALITY Class 5.4.4.

WORKING TEMPERATURE ATEX From -20 °C to 110 °C (from -4 °F to 230 °F)

MAX NOISE LEVEL 100 dB(a)

TECHNOLOGY Piston pneumatic impact

MATERIAL Grey cast iron body (powder painted) - aluminium cover

OPTIONS

KIT ATEX II 2D C TX
II 2G C TX

SAFETY CHAIN Available

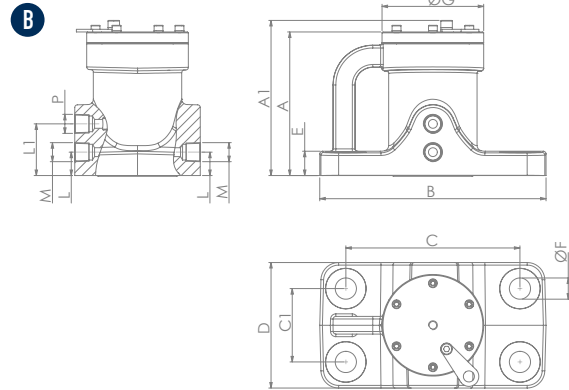
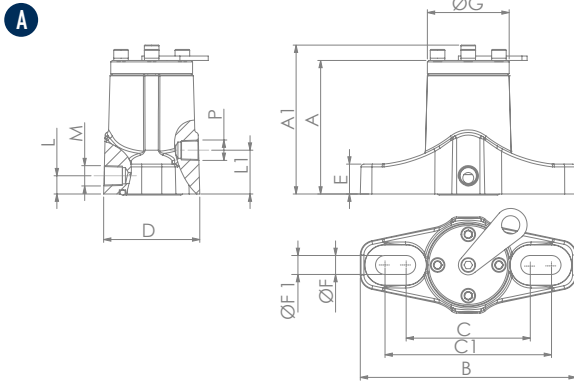
This information is furnished without warranty, representation, inducement or license of any kind. It is accurate to the best OLI knowledge or is obtained from sources believed to be accurate. OLI therefore assumes no legal responsibility.





P-US - Linear pneumatic vibrators - Continuous impact

COMPATIBLE WITH MOST COMMON US FOOT PRINT



DIMENSIONAL SPECIFICATIONS

MODEL	DRAW.	A		A1		B		C		C1		D		E		ØF		ØF1		ØG		P	L		L1		M		WEIGHT	
		mm	in	mm	in	mm	in	mm	in	mm	in	mm	in	mm	in	mm	in	mm	in	mm	in	IN NPT	mm	in	mm	in	OUT NPT	kg	lb	
P10 R	A	92	3.6	102	4.0	148	5.8	85	3.3	114	4.5	66	2.6	21	0.8	13	0.5	/	/	56	2.2	1/4"	30.	1.2	13	0.5	1/4"	2.2	4.9	
P20 R	A	121	4.7	134	5.2	234	9.1	110	4.3	191	7.5	96	3.7	25	1.0	19	0.7	17	0.7	75	2.9	3/8"	45	1.7	19	0.7	3/8"	5.5	12.1	
P30 R	A	163	6.3	176	6.8	235	9.2	153	6.0	190	7.4	130	5.1	28	1.1	16	0.6	/	/	115	4.5	1/2"	59	2.3	27	1.0	1/2"	11.0	24.3	
P30 S	B	163	6.3	176	6.8	256	10.0	197	7.7	83	3.2	142	5.5	28	1.1	24	0.9	/	/	115	4.5	1/2"	59	2.3	27	1.0	1/2"	14.0	30.9	

MODEL	2 bar [29 psi]								4 bar [58 psi]								6 bar [87 psi]										
	VIBRATION		FORCE		WORKING MOMENT		AIR CONSUMP.		VIBRATION		FORCE		WORKING MOMENT		AIR CONSUMP.		VIBRATION		FORCE		WORKING MOMENT		AIR CONSUMP.				
	V/min	N	lb	kgcm	inlb	l/min	Cfm	V/min	N	lb	kgcm	inlb	l/min	Cfm	V/min	N	lb	kgcm	inlb	l/min	Cfm	V/min	N	lb	kgcm	inlb	l/min
P10 R	2500	294	66	0.43	0.37	55	1.9	3800	680	153	0.43	0.37	80	2.8	4500	954	214	0.43	0.37	200	7.1						
P20 R	1650	484	109	1.63	1.41	70	1.1	2200	860	193	1.63	1.41	120	4.2	2800	1396	314	1.63	1.41	250	8.8						
P30 R	1200	1296	291	4.11	3.57	100	3.5	1600	2304	518	4.11	3.57	250	8.8	1900	3250	731	4.11	3.57	400	14.1						
P30 S	1200	1296	291	4.11	3.57	100	3.5	1600	2304	518	4.11	3.57	250	8.8	1900	3250	731	4.11	3.57	400	14.1						

P-US - LINEAR PNEUMATIC VIBRATORS - CONTINUOUS IMPACT

APPLICATION	Hopper silo - salt spreader - dump trailer - rail cart
POWDER	Hygroscopic - humid - sticky
PROBLEM SOLVING	Bridge and rat-holing

FEATURES

DUTY CYCLE	Continuous
WORKING PRESSURE	From 2 bar to 6 bar (from 29 psi to 87 psi)
PNEUMATIC CIRCUIT	Filter + flow control valve + lubrication + 3/2 ways valve
AIR SUPPLY QUALITY	Class 5.4.4.
WORKING TEMPERATURE	From -20 °C to 200 °C (from -4 °F to 392 °F)
MAX NOISE LEVEL	100 dB(a)
TECHNOLOGY	Piston pneumatic impact
MATERIAL	Grey cast iron body (powder painted) - aluminium cover

OPTIONS

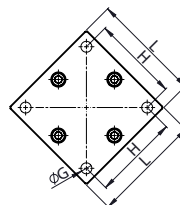
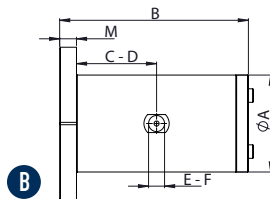
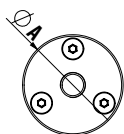
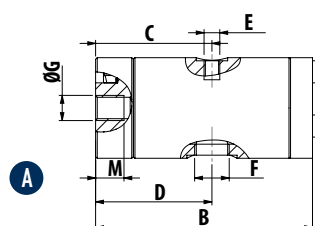
SAFETY CHAIN	Available
--------------	-----------

This information is furnished without warranty, representation, inducement or license of any kind. It is accurate to the best OLI knowledge or is obtained from sources believed to be accurate. OLI therefore assumes no legal responsibility.





K - Linear pneumatic vibrators - Cushioned



DIMENSIONAL SPECIFICATIONS																						
MODEL	DRAW.	A		B		C		D		E		F		G	H		L		M		WEIGHT	
		mm	in	mm	in	mm	in	mm	in	IN	OUT		mm	in	mm	in	mm	in	kg	lb		
K 15 - K 15 LF	A	32	1.3	69	2.7	37	1.5	37	1.5	M5	1/8" BSPP	M8	/	/	/	/	9	0.4	0.2	0.4		
K 22 - K 22 LF	A	45	1.8	105	4.1	56	2.2	56	2.2	1/8" BSPP	1/8" BSPP	M10	/	/	/	/	13	0.5	0.5	1.1		
K 30 - K 30 LF	A	60	2.4	116	4.6	62	2.4	62	2.4	1/4" BSPP	1/4" BSPP	M12	/	/	/	/	13	0.5	1.0	2.3		
K 45 - K 45 LF	B	80	3.2	151	5.9	78	3.1	78	3.1	1/4" BSPP	3/8" BSPP	ø 8.5	72	2.8	90	3.5	15	0.6	2.9	6.3		
K 60 - K 60 LF	B	115	4.5	224	8.8	115	4.5	115	4.5	1/2" BSPP	1/2" BSPP	ø 13	102	4.0	130	5.1	20	0.8	4.6	10.1		

LF = Lubrication Free

MODEL	2 bar (29 psi)							4 bar (58 psi)							6 bar (87 psi)						
	VIBRA-TION	FORCE		WORKING MOMENT		AIR CONSUMP.		VIBRA-TION	FORCE		WORKING MOMENT		AIR CONSUMP.		VIBRA-TION	FORCE		WORKING MOMENT		AIR CONSUMP.	
	VPM	N	lb	kgcm	inlb	l/min	cfm	VPM	N	lb	kgcm	inlb	l/min	cfm	VPM	N	lb	kgcm	inlb	l/min	cfm
K 15	5040	33.4	7.5	0.02	0.02	9	0.3	5880	45.4	10.2	0.02	0.02	15	0.5	6720	59.4	13.3	0.02	0.02	21	0.7
K 22	2880	95.4	21.4	0.21	0.18	32	1.1	3480	139.3	31.3	0.21	0.18	50	1.8	4080	191.5	43.0	0.21	0.18	73	2.6
K 30	2640	171.8	38.6	0.45	0.39	45	1.6	3120	239.9	53.9	0.45	0.39	90	3.2	3720	341.1	76.7	0.45	0.39	140	4.9
K 45	1920	390.9	87.8	1.94	1.68	56	2.0	2400	610.8	137.3	1.94	1.68	125	4.4	2580	705.9	158.6	1.94	1.68	194	6.8
K 60	1260	722.6	162.4	8.31	7.21	70	2.7	1560	1107.7	248.9	8.31	7.21	125	4.4	2160	2123.7	477.3	8.31	7.21	202	7.1
K 15 LF	5040	33.4	7.5	0.02	0.02	9	0.3	5880	45.4	10.2	0.02	0.02	15	0.5	6720	59.4	13.3	0.02	0.02	21	0.7
K 22 LF	2880	81.8	18.4	0.18	0.16	32	1.1	3480	119.4	26.8	0.18	0.16	50	1.8	4080	164.1	36.9	0.18	0.16	73	2.6
K 30 LF	2640	160.3	36.0	0.42	0.36	45	1.6	3120	223.9	50.3	0.42	0.36	90	3.2	3720	318.4	71.5	0.42	0.36	140	4.9
K 45 LF	1920	394.2	88.6	1.95	1.69	56	2.0	2400	615.9	138.4	1.95	1.69	125	4.4	2580	711.7	159.9	1.95	1.69	194	6.8
K 60 LF	1260	722.6	162.4	8.31	7.21	70	2.7	1560	1107.7	248.9	8.31	7.21	125	4.4	2160	2123.7	477.3	8.31	7.21	202	7.1

LF = Lubrication Free

K - CUSHIONED LINEAR PNEUMATIC VIBRATORS

APPLICATION Hopper silo - compaction - vibrating feeder - table and channel

POWDER Hygroscopic - dusty and granular

PROBLEM SOLVING Detaching and compacting

FEATURES

DUTY CYCLE Continuous

WORKING PRESSURE From 2 bar to 6 bar (from 29 psi to 87 psi)

PNEUMATIC CIRCUIT K: Filter + flow control valve + lubrication + 3/2 ways valve
K-LF: Filter + flow control valve + 3/2 ways valve

AIR SUPPLY QUALITY K: Class 5.4.4
K-LF: Class 5.4.1

WORKING TEMPERATURE From -20 °C to 130 °C (from -4 °F to 266 °F)

MAX NOISE LEVEL 80 dB(a)

TECHNOLOGY Piston pneumatic cushioned

ATEX II 2D C TX
II 2G C TX

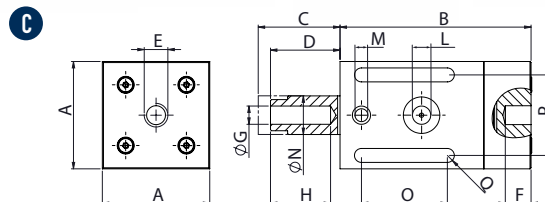
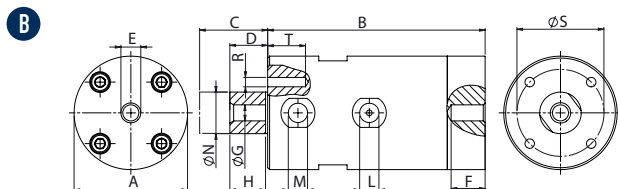
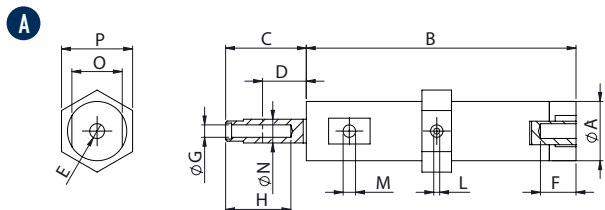
MATERIAL Aluminium body



This information is furnished without warranty, representation, inducement or license of any kind. It is accurate to the best OLI knowledge or is obtained from sources believed to be accurate. OLI therefore assumes no legal responsibility.



F - Linear pneumatic vibrators - Adjustable cushioned



DIMENSIONAL SPECIFICATIONS

MODEL	DRAW.	A		B		C		D		E		F		G		H		I		L		M		N		O		P		Q		R		S		T		WEIGHT	
		mm	in	mm	in	mm	in	mm	in	mm	in	mm	in	mm	in	mm	in	mm	in	mm	in	mm	in	mm	in	mm	in	mm	in	mm	in	mm	in	mm	in	kg	lb		
F8	A	20	0.8	91	3.6	30	1.2	5	0.2	M6	10	0.4	M5	20	0.8	7	0.3	M5	M5	8	0.3	17	0.7	24	0.9	/	/	/	/	/	/	/	/	/	/	/	/	0.1	0.2
F15	B	50	2.0	115	4.5	41	1.6	7	0.3	M10	15	0.6	M10	15	0.6	13	0.5	1/8" BSPP	1/8" BSPP	15	0.6	12	0.5	/	/	36	1.4	M6	18	0.7	36	1.4	1.5	3.3					
F15P	B	50	2.0	115	4.5	39	1.5	9	0.4	M10	15	0.6	M10	22	0.9	13	0.5	1/8" BSPP	1/8" BSPP	16	0.6	/	/	/	/	/	/	M6	12	0.5	36	1.4	0.5	1.1					
F18	C	50	2.0	89	3.5	32	1.3	10	0.4	M10	10	0.4	M10	26	1.0	12	0.5	1/8" BSPP	1/8" BSPP	18	0.7	40	1.6	38	1.5	7	0.3	/	/	/	/	/	/	/	/	/	0.6	1.3	
F25	B	60	2.4	115	4.5	45	1.8	10	0.4	M10	15	0.6	M10	15	0.6	19	0.8	1/4" BSPP	1/4" BSPP	22	0.9	15	0.6	/	/	46	1.8	M6	18	0.7	46	1.8	2.3	5.1					
F40	B	85	3.4	140	5.5	57	2.2	13	0.5	M16	17	0.7	M16	20	0.8	36	1.4	1/4" BSPP	3/8" BSPP	40	1.6	20	0.8	/	/	65	2.6	M6	16	0.6	65	2.6	5.7	12.5					
F85	B	160	6.3	122	4.8	52	2.1	22	0.9	M20	30	1.2	M20	30	1.2	/	/	3/8" BSPP	2x3/8" BSPP	85	3.3	/	/	/	/	/	/	M6	17	0.7	140	5.5	16.5	36.3					

MODEL	2 bar								4 bar								6 bar							
	VIBRATION		FORCE		WORKING MOMENT		AIR CONSUMPTION		VIBRATION		FORCE		WORKING MOMENT		AIR CONSUMPTION		VIBRATION		FORCE		WORKING MOMENT		AIR CONSUMPTION	
	V/min	N	lb	kgcm	inlb	l/min	cfm	V/min	N	lb	kgcm	inlb	l/min	cfm	V/min	N	lb	kgcm	inlb	l/min	cfm			
F8	2020	2.2	0.5	0.04	0.04	7	0.2	2950	5.1	1.1	0.04	0.04	19	0.7	3600	7.7	1.7	0.04	0.04	28	1.0			
F15	2280	10.8	2.4	0.16	0.15	20	0.7	2520	17.6	4.0	0.22	0.19	38	1.3	2820	22.0	5.0	0.22	0.19	67	2.4			
F15P	1920	9.7	2.2	0.21	0.18	20	0.7	2160	16.3	3.7	0.29	0.25	42	1.5	2340	19.4	4.4	0.29	0.25	80	2.8			
F18	2070	17.9	4.0	0.34	0.29	29	1.0	2520	26.5	5.9	0.36	0.31	55	1.9	3300	47.8	10.8	0.36	0.31	100	3.5			
F25	1860	19.8	4.5	0.46	0.40	32	1.1	2040	28.4	6.4	0.56	0.48	60	2.1	2220	34.0	7.6	0.56	0.48	105	3.7			
F40	1380	46.1	10.4	1.96	1.70	80	2.8	1560	74.5	16.7	2.49	2.15	190	6.7	1740	92.8	20.9	2.49	2.15	320	11.2			
F85	1680	220.9	49.7	6.36	5.50	240	8.4	1980	358.1	80.5	7.42	6.42	390	13.7	2280	475.0	106.7	7.42	6.42	580	20.4			

F - LINEAR PNEUMATIC VIBRATORS - ADJUSTABLE CUSHIONED

APPLICATION Vibrating feeder - table and channel

POWDER Hygroscopic - dusty and granular

PROBLEM SOLVING Detaching and compacting

FEATURES

DUTY CYCLE Continuous

WORKING PRESSURE From 2 bar to 6 bar (from 29 psi to 87 psi)

PNEUMATIC CIRCUIT Filter + flow control valve + lubrication + 3/2 ways valve

AIR SUPPLY QUALITY Class 5.4.4. | F15P - F18Q class 5.4.1

WORKING TEMPERATURE From -20 °C to 200 °C (from -4 °F to 392 °F) | F15P - from -20 °C to 100 °C (from -4 °F to 212 °F)

MAX NOISE LEVEL 80 dB(a)

TECHNOLOGY Piston pneumatic cushioned

ATEX II 2D C TX
II 2G C TX

MATERIAL Grey cast iron body (powered painted)
F15P: nylon body and aluminium cover
F18: aluminium body (square shape)



EXTERNAL APPLICATION

ROTARY PNEUMATIC VIBRATORS

PRODUCT SERIES

BALL VIBRATORS
S



APPLICATIONS

Silos
Hoppers
Piping
Chutes
Compacting

POWDERS

Dry powders.
Granules
Plastics
Sand
Ashes
Cement
Lime

FEATURES

Filter sleeve cleaning.
Suitable for outdoor use.
Resistant to oxidation.
Atex II2G c Tx
Atex II2D c Tx

BENEFITS

Economical
Low air consumption
High frequency vibration

ROLLER VIBRATORS
OR



Silos
Hoppers
Piping
Chutes
Concrete compaction

Hygroscopic powders.
Cement
Concrete
Sand
Foundry sand

Compact and robust design.
Suitable for outdoor use.
Resistant to oxidations.
Atex II2G c Tx
Atex II2D c Tx

High centrifugal force
Low air consumption
High frequency vibration
Suitable for high temperature

TURBINE VIBRATORS
OT



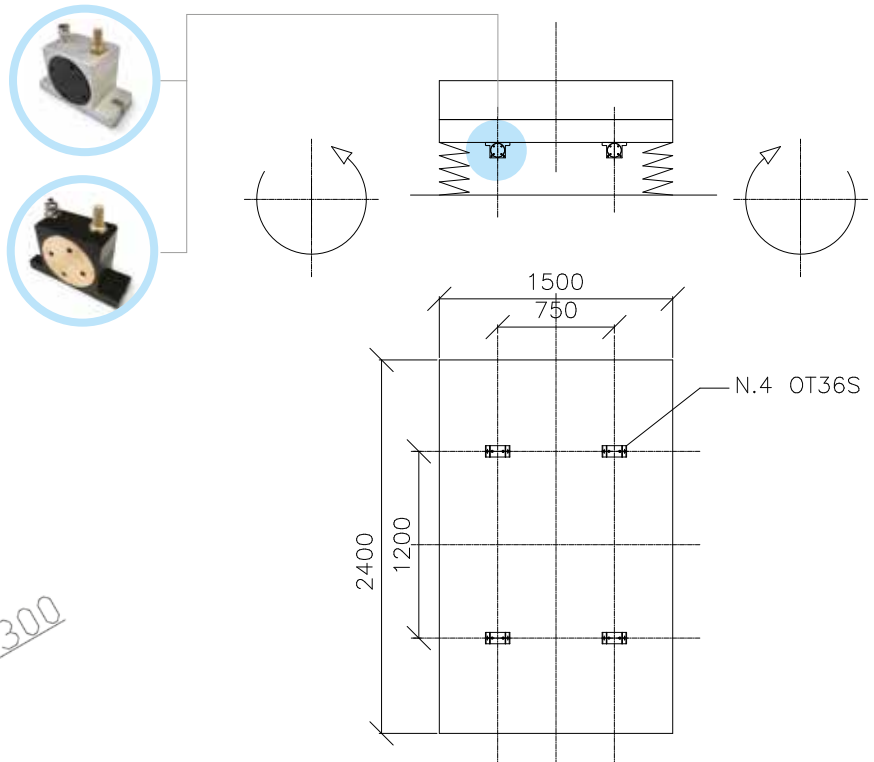
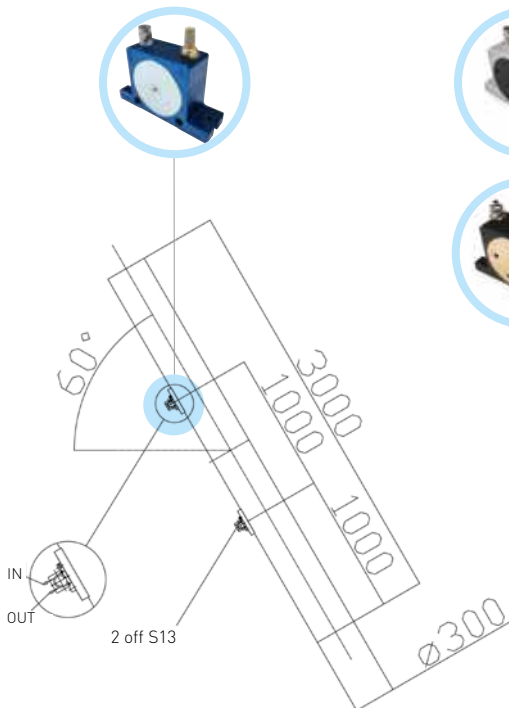
Silos
Hoppers
Piping
Chutes

Food powders.
Sugar
Bicarbonate
Phosphate
Sodium

Suitable for food and pharmaceutical applications.
Resistant to oxidation.
Atex II2G c Tx
Atex II2D c Tx

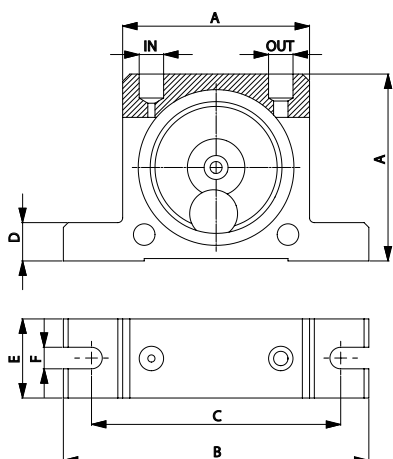
High performance
Silent
Low air consumption

APPLICATIONS





S - Rotary pneumatic vibrators - Ball



DIMENSIONAL SPECIFICATIONS

MODEL	A		B		C		D		E		F		IN-OUT	WEIGHT	
	mm	in	mm	in	mm	in	mm	in	mm	in	mm	in		kg	lb
S8	50	2.0	86	3.4	68	2.7	12	0.5	20	0.8	7	0.3	1/8" BSPP	0.13	0.29
S10	50	2.0	86	3.4	68	2.7	12	0.5	20	0.8	7	0.3	1/8" BSPP	0.13	0.29
S13	65	2.6	113	4.5	90	3.5	16	0.6	25	1.0	9	0.4	1/4" BSPP	0.26	0.57
S16	65	2.6	113	4.5	90	3.5	16	0.6	28	1.1	9	0.4	1/4" BSPP	0.30	0.66
S20	80	3.2	128	5.1	104	4.1	16	0.6	33	1.3	9	0.4	1/4" BSPP	0.53	1.17
S25	80	3.2	128	5.1	104	4.1	16	0.6	38	1.5	9	0.4	1/4" BSPP	0.63	1.39
S30	100	3.9	160	6.3	130	5.1	20	0.8	45	1.8	11	0.4	3/8" BSPP	1.13	2.49
S36	100	3.9	160	6.3	130	5.1	20	0.8	50	2.0	11	0.4	3/8" BSPP	1.34	2.95

MODEL	VIBRATION			F.C. MAX						AIR CONSUMPTION					
	Vpm			2 bar (29 psi)		4 bar (58psi)		6 bar (87 psi)		2 bar (29 psi)		4 bar (58psi)		6 bar (87 psi)	
	2 bar (29 psi)	4 bar (58psi)	6 bar (87 psi)	kg	lb	kg	lb	kg	lb	l/min	CF/min	l/min	CF/min	l/min	CF/min
S8	25500	31000	35000	13	29	26	57	36	79	83	2.9	145	5.1	195	6.9
S10	22500	28000	34000	25	55	47	103	71	156	92	3.2	150	5.3	200	7.1
S13	15000	18500	22500	32	70	55	121	87	191	94	3.3	158	5.6	225	7.9
S16	13000	17000	19500	45	99	80	176	110	242	122	4.3	200	7.1	280	9.9
S20	10500	14500	16500	72	158	122	268	172	378	130	4.6	230	8.1	340	12.0
S25	9200	12200	14000	93	205	157	345	205	451	160	5.7	290	10.2	425	15.0
S30	7800	9700	12500	151	332	247	543	321	706	215	7.6	375	13.2	570	20.1
S36	7300	9000	10000	206	453	315	693	405	891	260	9.2	475	16.8	675	23.8

S - ROTARY PNEUMATIC VIBRATORS - BALL

APPLICATION Hopper and silo - screen - vibrating table - chute

POWDER Dry and granular

PROBLEM SOLVING Friction reduction - separation

FEATURES

DUTY CYCLE Continuous

WORKING PRESSURE From 2 bar to 6 bar (from 29 psi to 87 psi)

PNEUMATIC CIRCUIT Filter + flow control valve + lubrication + 3/2 ways valve

AIR SUPPLY QUALITY Class 5.4.4.

WORKING TEMPERATURE From -20 °C to 200 °C (from -4 °F to 392 °F)

MAX NOISE LEVEL 90 dB(a)

TECHNOLOGY Rotary vibration - high frequency

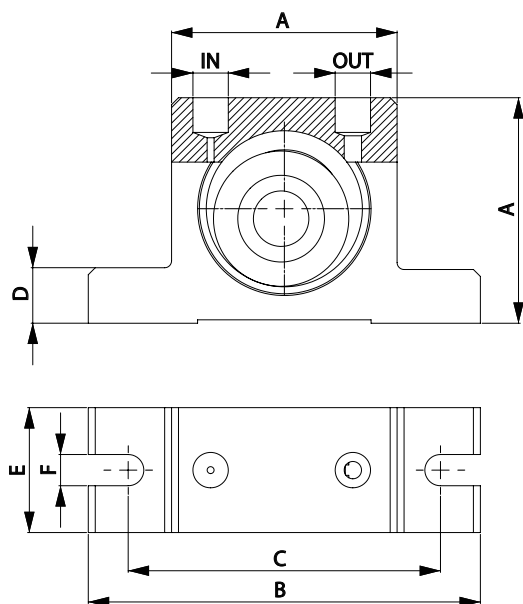
ATEX II 2D C TX
II 2G C TX

MATERIAL Aluminium body and zinc plate cover





OR - Rotary pneumatic vibrators - Roller



DIMENSIONAL SPECIFICATIONS

MODEL	A		B		C		D		E		F		IN-OUT	WEIGHT	
	mm	in	mm	in	mm	in	mm	in	mm	in	mm	in		kg	lb
OR50	50	2.0	86	3.4	68	2.7	12	0.5	30	1.2	7	0.3	1/8" BSPP	0.37	0.81
OR65	65	2.6	113	4.5	90	3.5	16	0.6	36	1.4	9	0.4	1/4" BSPP	0.76	1.67
OR80	80	3.2	128	5.1	102	4.0	16	0.6	40	1.6	9	0.4	1/4" BSPP	1.27	2.79
OR100	100	3.9	160	6.3	130	5.1	20	0.8	52	2.1	11	0.4	1/4"-3/8" BSPP	2.60	5.72

MODEL	VIBRATION			F.C. MAX						AIR CONSUMPTION					
	Vpm			2 bar (29 psi)		4 bar (58psi)		6 bar (87psi)		2 bar (29 psi)		4 bar (58psi)		6 bar (87psi)	
	2 bar (29 psi)	4 bar (58psi)	6 bar (87psi)	kg	lb	kg	lb	kg	lb	l/min	CF/min	l/min	CF/min	l/min	CF/min
OR50	21000	25000	29500	188	413	281	619	355	780	78	2.8	144	5.1	204	7.2
OR65	19000	22000	26000	235	516	439	966	552	1215	100	3.5	198	7.0	296	10.5
OR80	14000	16000	21500	342	752	587	1292	624	1373	122	4.3	255	9.0	378	13.3
OR100	6750	9750	11000	289	637	604	1329	783	1722	132	4.7	284	10.0	412	14.5

OR - ROTARY PNEUMATIC VIBRATORS - ROLLER

APPLICATION Hopper and silo - piping - chute - concrete compaction

POWDER Hygroscopic

PROBLEM SOLVING Friction reduction - compaction

FEATURES

DUTY CYCLE Continuous

WORKING PRESSURE From 2 bar to 6 bar (from 29 psi to 87 psi)

PNEUMATIC CIRCUIT Filter + flow control valve + lubrication + 3/2 ways valve

AIR SUPPLY QUALITY Class 5.4.4.

WORKING TEMPERATURE From -20 °C to 200 °C (from -4 °F to 392 °F)

MAX NOISE LEVEL <90 dB(a)

TECHNOLOGY Roller vibration - high frequency and centrifugal force

ATEX II 2D C TX
II 2G C TX

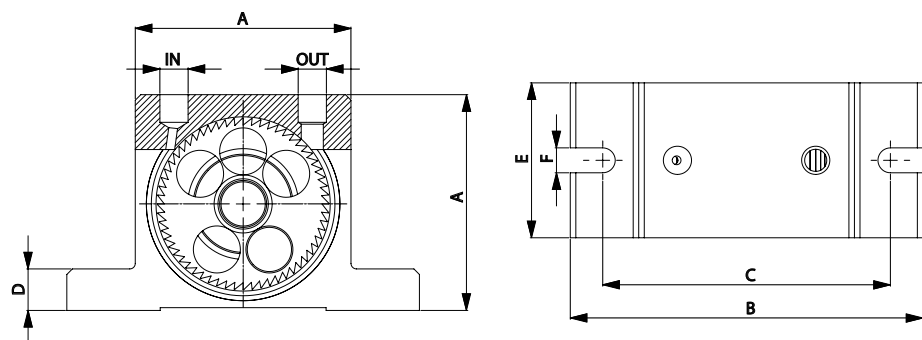
MATERIAL Aluminium body and brass cover



This information is furnished without warranty, representation, inducement or license of any kind. It is accurate to the best OLI knowledge or is obtained from sources believed to be accurate. OLI therefore assumes no legal responsibility.



OT - Rotary pneumatic vibrators - Turbine



DIMENSIONAL SPECIFICATIONS

MODEL	A		B		C		D		E		F		IN-OUT	WEIGHT	
	mm	in	mm	in	mm	in	mm	in	mm	in	mm	in		kg	lb
OT8	50	2.0	86	3.4	68	2.7	12	0.5	33	1.3	7	0.3	1/8" BSPP	0.25	0.55
OT10	50	2.0	86	3.4	68	2.7	12	0.5	33	1.3	7	0.3	1/8" BSPP	0.26	0.56
OT10S	50	2.0	86	3.4	68	2.7	12	0.5	33	1.3	7	0.3	1/8" BSPP	0.26	0.58
OT13	65	2.6	113	4.5	90	3.5	16	0.6	42	1.7	9	0.4	1/4" BSPP	0.57	1.24
OT16	65	2.6	113	4.5	90	3.5	16	0.6	42	1.7	9	0.4	1/4" BSPP	0.58	1.28
OT16S	65	2.6	113	4.5	90	3.5	16	0.6	42	1.7	9	0.4	1/4" BSPP	0.61	1.35
OT20	80	3.2	128	5.0	104	4.1	16	0.6	56	2.2	9	0.4	1/4" BSPP	1.09	2.40
OT25	80	3.2	128	5.0	104	4.1	16	0.6	56	2.2	9	0.4	1/4" BSPP	1.12	2.46
OT25S	80	3.2	128	5.0	104	4.1	16	0.6	56	2.2	9	0.4	1/4" BSPP	1.20	2.64
OT30	100	3.9	160	6.3	130	5.1	20	0.8	73	2.9	11	0.4	3/8" BSPP	2.20	4.84
OT36	100	3.9	160	6.3	130	5.1	20	0.8	73	2.9	11	0.4	3/8" BSPP	2.30	5.06
OT36S	100	3.9	160	6.3	130	5.1	20	0.8	73	2.9	11	0.4	3/8" BSPP	2.53	5.57

MODEL	VIBRATION			F.C. MAX						AIR CONSUMPTION					
	Vpm			2 bar (29 psi)		4 bar (58psi)		6 bar (87psi)		2 bar (29 psi)		4 bar (58psi)		6 bar (87psi)	
	2 bar (29 psi)	4 bar (58psi)	6 bar (87psi)	kg	lb	kg	lb	kg	lb	l/min	CF/min	l/min	CF/min	l/min	CF/min
OT8	34000	38000	42000	110	242	205	451	292	641	45	1.6	81	2.9	110	3.9
OT10	26000	33000	38000	105	231	171	377	252	554	45	1.6	81	2.9	110	3.9
OT10S	17200	23400	26000	72	159	147	323	187	410	45	1.6	81	2.9	110	3.9
OT13	24500	28500	31000	202	444	263	579	300	659	122	4.3	204	7.2	285	10.1
OT16	18000	20000	21000	194	427	239	527	264	581	122	4.3	204	7.2	285	10.1
OT16S	11500	15000	17500	129	285	196	431	234	516	122	4.3	204	7.2	285	10.1
OT20	14500	19000	23000	251	552	404	888	526	1157	184	6.5	318	11.2	452	16.0
OT25	13200	15500	17000	244	537	336	740	508	1117	184	6.5	318	11.2	452	16.0
OT25S	9000	11000	13500	214	471	335	738	483	1063	184	6.5	318	11.2	452	16.0
OT30	11000	12500	14500	351	771	721	1586	781	1718	322	11.4	542	19.1	749	26.5
OT36	8500	11500	12000	341	751	698	1536	749	1648	322	11.4	542	19.1	749	26.5
OT36S	6000	7000	8500	406	893	706	1554	754	1660	322	11.4	542	19.1	749	26.5

OT - ROTARY PNEUMATIC VIBRATORS - TURBINE

APPLICATION Hopper and silo - screen - vibrating table - chute - concrete consolidation

POWDER Dry and granular [food] - concrete

PROBLEM SOLVING Friction reduction - separation - consolidation

FEATURES

DUTY CYCLE Continuous

WORKING PRESSURE From 2 bar to 6 bar (from 29 psi to 87 psi)

PNEUMATIC CIRCUIT Filter + flow control valve + 3/2 ways valve

AIR SUPPLY QUALITY Class 5.4.1.

WORKING TEMPERATURE From -20 °C to 120 °C (from -4 °F to 248 °F)

MAX NOISE LEVEL <90 dB(a)

TECHNOLOGY Turbine vibration - high frequency and centrifugal force

ATEX II 2D C TX
II 2G C TX

MATERIAL Aluminium body



EXTERNAL APPLICATION

ELECTRIC VIBRATORS

PRODUCT SERIES

2 POLES MICRO
MVE-MICRO



APPLICATIONS

Small hoppers
Micro-screens
Chutes
Vibrating feeders,
tables and
channels

POWDERS

Fine, dry powder.
Plastics
Sugar
Bicarbonate
Seeds

FEATURES

Compact, uni-body,
heavy-duty design.
Supplied with
stainless
steel covers in
standard version.
Atex II2D T100 °C.

BENEFITS

Economical
Easy to install
Single phase cable
with built-in capacitor
Adjustable force

2 POLES
MVE



Silos
Hoppers
Dispensers
Agitators
Mixers
Filter cleaning
Vibrating feeders
and tables

**Fine and dry
powders,
granules.**
Cement
Flour
Grit
Sugar

Suitable for indoor
and outdoor use.
Silos and hoppers
of any material
and capacity from
200 to 10,000 kg.
Atex II2D T100 °C.

Economical
Wide range
Special windings
for different
geographical areas
Adjustable force

DIRECT CURRENT
MVE-DC



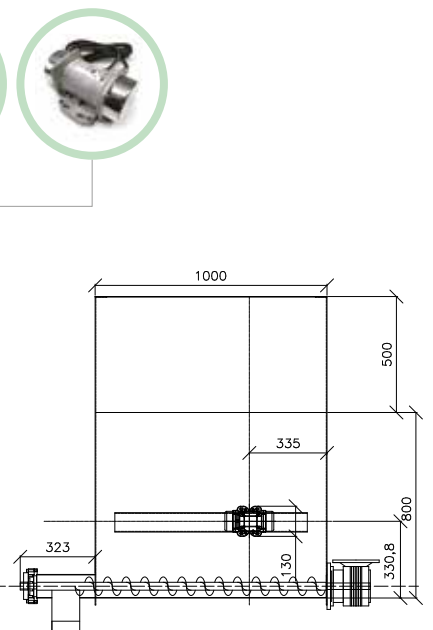
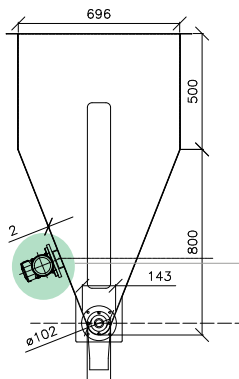
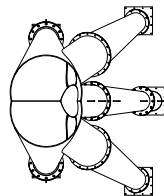
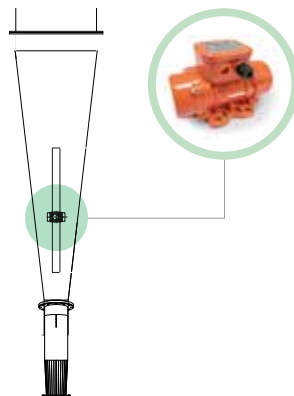
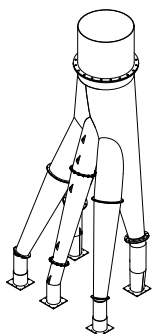
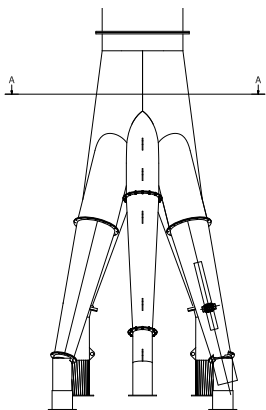
Automotive
Hoppers
Salt and manure
spreaders
Dump trucks
Concrete pump
grids

Granular powders.
Concrete
Fertilizers
Corn
Soy
Rice
Seeds
Salt
Sand

Stainless steel
covers.
DC Motor 3,000
RPM 12V-24V.
Power from 80
to 520 W.
Resistant to oxidation.

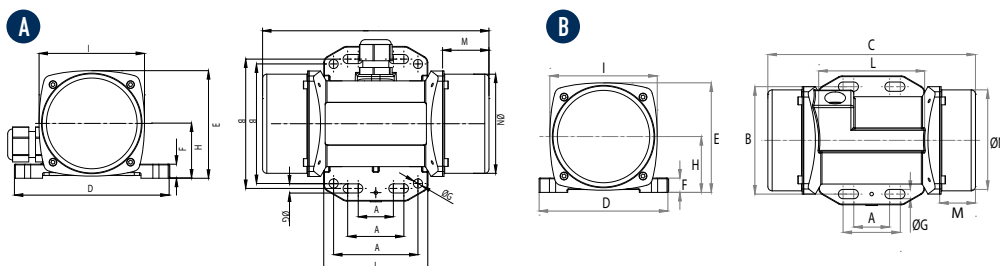
Economical
Robust
Safe
Terminal box connection
sealed (option)
Adjustable force

APPLICATIONS





MVE-MICRO - 2 poles electric vibrators



DIMENSIONAL SPECIFICATIONS																														
MODEL		DRAW.	C		M		A		B		Ø G		HOLES		D		E		F		H		I		L		N		SCREW	
50 / 60 Hz	60 Hz USA		mm	in	mm	in	mm	in	mm	in	mm	in	n°	mm	in	mm	in	mm	in	mm	in	mm	in	mm	in	mm	in	mm	in	Metric
MICRO 3M	MVE 0003	A	145	5.7	25	1.0	25-40 60	1-1.6 2.4	92 85	3.6 3.3	6.5 6.5	0.3 0.3	4	110	4.3	76.5	3.0	10	0.4	39	1.5	75	3.0	74	2.9	70.5	2.8	M5	3/16"	
MICRO 6M	MVE 0006	B	145	5.7	25	1.0	25-40 60	1-1.6 2.4	92 85	3.6 3.3	6.5 6.5	0.3 0.3	4	90	3.5	76.5	3.0	10	0.4	39	1.5	75	3.0	74	2.9	70.5	2.8	M5	3/16"	
MICRO 21, 21M	MVE 0021	A	145	5.7	25	1.0	25-40 60	1-1.6 2.4	92 85	3.6 3.3	6.5 6.5	0.3 0.3	4	110	4.3	76.5	3.0	10	0.4	39	1.5	75	3.0	74	2.9	70.5	2.8	M5	3/16"	
MICRO 41, 41M	MVE 0041	A	161	6.3	33	1.3	25-40 60	1-1.6 2.4	92 85	3.6 3.3	6.5 6.5	0.3 0.3	4	110	4.3	76.5	3.0	10	0.4	39	1.5	75	3.0	74	2.9	70.5	2.8	M5	3/16"	

MVE-MICRO THREE PHASE - 3000 RPM 400V 50HZ / 3600 RPM 460V 60HZ

MODEL												ELECTRIC FEATURES																			
												WORKING MOMENT				CENTRIFUGAL FORCE				WEIGHT		POWER				CURRENT			COSΦ		
												kgcm		inlb		kg		lb				kW		Hp		A max					
50 Hz	60 Hz	60 Hz - USA			50Hz	60Hz	50Hz	60Hz	50Hz	60Hz	50Hz	60Hz	kg	lb	50Hz	60Hz	50Hz	60Hz	230V	400V	460V	230V	400V	460V							
MICRO 21	MICRO 21/36	MVE.0021.36.460			0.40	0.40	0.35	0.35	20	29	44	64	2.0	4.4	0.04	0.04	0.05	0.05	0.16	0.12	0.12	0.45	0.45	0.42							
MICRO 41	MICRO 41/36	MVE.0041.36.460			0.90	0.90	0.78	0.78	45	65	99	143	2.4	5.3	0.06	0.06	0.08	0.08	0.30	0.18	0.18	0.44	0.44	0.40							

MVE-MICRO SINGLE PHASE - 3000 RPM 230V 50HZ / 3600 RPM 115V 60HZ

MODEL												ELECTRICAL FEATURES																	
												WORKING MOMENT				CENTRIFUGAL FORCE				WEIGHT		POWER				CURRENT		COSΦ	
												kgcm		inlb		kg		lb				Kw		Hp		A max			
50 Hz	60 Hz	60 Hz - USA			50Hz	60Hz	50Hz	60Hz	50Hz	60Hz	50Hz	60Hz	kg	lb	50Hz	60Hz	50Hz	60Hz	230V	115V	230V	115V							
MICRO 3M	MICRO 3/36M	MVE.0003.36.115			0.08	0.08	0.07	0.07	4	6	9	13	1.6	3.5	0.03	0.04	0.04	0.05	0.30	0.80	0.43	0.43							
MICRO 6M	MICRO 6/36M	MVE.0006.36.115			0.12	0.12	0.10	0.10	6	9	13	20	1.6	3.5	0.03	0.04	0.04	0.05	0.30	0.80	0.43	0.43							
MICRO 21M	MICRO 21/36M	MVE.0021.36.115			0.40	0.40	0.35	0.35	20	29	44	64	2.0	4.4	0.04	0.07	0.05	0.09	0.20	0.80	0.80	0.80							
MICRO 41M	MICRO 41/36M	MVE.0041.36.115			0.90	0.90	0.78	0.78	45	65	99	143	2.4	5.3	0.05	0.07	0.07	0.09	0.25	0.80	0.80	0.80							

MVE-MICRO - 2 POLES ELECTRIC VIBRATORS - THREE PHASE OR SINGLE PHASE

APPLICATION Small hopper - micro screen - chute - vibrating feeder table and channels

POWDER Fine - dry

PROBLEM SOLVING Bridge and rat-holing

FEATURES

DUTY CYCLE Continuous - S1

ENVIRONMENT TEMPERATURE From -20 °C to 40 °C (from -4 °F to 104 °F)

MAX NOISE LEVEL 76 dB(A)

ATEX II3D Ex tc IIIC Tx IP 66

MATERIAL Body aluminium - stainless steel cover

CAPACITOR MICRO 21 - 115v µF 4, 220v 50/60Hz µF1,5 | MICRO 41 - 115v µF 4, 220v 50/60Hz µF3

OPTIONS

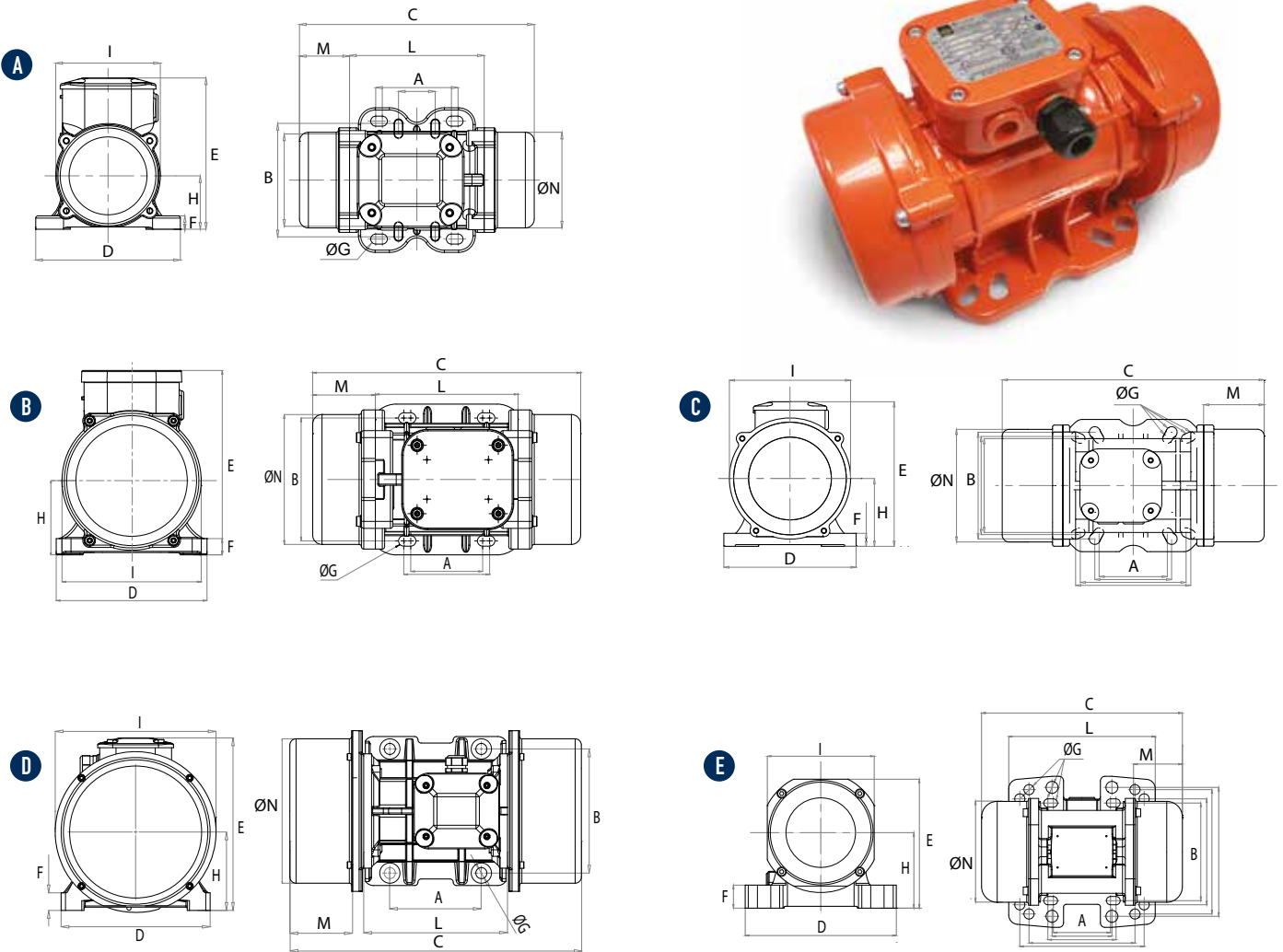
ATEX Ex II 2D Ex tb IIIC Tx Db IP 66
Ex tb IIIC Tx Db IP66

CUSTOMISED CABLE Available





MVE - 2 poles electric vibrators



DIMENSIONAL SPECIFICATIONS

THREE PHASE		SINGLE PHASE	DRAWING	SIZE	C		M		A		B		ØG		HOLES	D		E		F		H		I		L		N		WEIGHT	
50 / 60 Hz	U.S. 60 Hz	50 / 60 Hz			mm	in	mm	in	mm	in	mm	in	mm	in		mm	in	mm	in	mm	in	mm	in	mm	in	mm	in	mm	in	mm	in
MVE 60/3	MVE 160/2	MVE 60/3M	A	10	211	8.3	45	1.8	62-74	2.4-2.9	106	4.2	9	0.4	4	130	5.1	136	5.4	12	0.5	48	1.9	94	3.7	121	4.8	85	3.4	4.2	9.3
MVE 100/3	MVE 220/2	MVE 100/3M	A	10	211	8.3	45	1.8	33	1.3	83-102	3.3-4.0	7	0.3	4	130	5.1	136	5.4	12	0.5	48	1.9	94	3.7	121	4.8	85	3.4	4.6	10.1
MVE 200/3	MVE 440/2	MVE 200/3M	B	20	231	9.1	54	2.1	62-74	2.4-2.9	106	4.2	9	0.4	4	131	5.2	159	6.3	15	0.6	64	2.5	121	4.8	123	4.8	112	4.4	7.0	15.4
MVE 202/3	MVE 444/2	MVE 202/3M	E	23	218	8.6	53	2.1	62-74	2.4-2.9	106	4.2	9	0.4	4	164	6.5	140	5.5	25	1.0	82	3.2	116	4.6	159	6.3	110	4.3	7.2	15.9
									65	2.6	140	5.5	13	0.5																	
									115	4.5	135	5.3	11	0.4																	
MVE 300/3	MVE 690/2	MVE 300/3M	C	30	253	10.0	45	1.8	80	3.2	110	4.3	11	0.4	4	154	6.1	175	6.9	15	0.6	79	3.1	142	5.6	163	6.4	131	5.2	9.8	21.6
									90	3.5	125	4.9	13	0.5																	
									124	4.9	110	4.3	11	0.4																	
MVE 400/3	MVE 890/2	-	C	30	273	10.8	55	2.2	135	5.3	115	4.5	11	0.4	4	154	6.1	175	6.9	15	0.6	79	3.1	142	5.6	163	6.4	131	5.2	10.3	22.7
									135	5.3	115	4.5	11	0.4																	
MVE 500/3	MVE 1200/2	-	D	40	334	13.2	78	3.1	105	4.1	140	5.5	13	0.5	4	168	6.6	196	7.7	22	0.9	92	3.6	169	6.7	178	7.0	158	6.2	15.8	34.8
MVE 700/3	MVE 1700/2	-	D	40	334	13.2	78	3.1	105	4.1	140	5.5	13	0.5	4	168	6.6	196	7.7	22	0.9	92	3.6	169	6.7	178	7.0	158	6.2	16.5	36.4
MVE 800/3	MVE 1800/2	-	D	50	321	12.6	58	2.3	120	4.7	170	6.7	17	0.7	4	208	8.2	210	8.3	22	0.9	94	3.7	180	7.1	205	8.1	170	6.7	20.6	45.4

This information is furnished without warranty, representation, inducement or license of any kind. It is accurate to the best OLI knowledge or is obtained from sources believed to be accurate. OLI therefore assumes no legal responsibility.



MVE THREE PHASE

MODEL		ELECTRICAL FEATURES																				
		WORKING MOMENT				CENTRIFUGAL FORCE				POWER				CURRENT		COSΦ		IA/IN		CLASSII DIV.2	II 2D	CABLE GLAND
		kgcm		inlb		kg		lb		kW		hp		A max (Y)						Temp. Class	Temp. Class	Class Temp.
50 /60 Hz	U.S. 60 Hz	50Hz	60Hz	50Hz	60Hz	50Hz	60Hz	50Hz	60Hz	50Hz	60Hz	50Hz	60 H	400V	460V	50Hz	60Hz	50Hz	60Hz	T	(°C)	
MVE 60/3	MVE 160/2	1.3	0.9	1.1	0.9	66	71	145	156	0.08	0.09	0.11	0.12	0.16	0.18	0.74	0.82	3.0	3.0	T4	100	M16 80 °C
MVE 100/3	MVE 220/2	1.9	1.3	1.7	1.1	98	95	216	209	0.1	0.11	0.13	0.15	0.19	0.18	0.76	0.85	3.0	3.0	T4	100	M16 80 °C
MVE 200/3	MVE 440/2	3.7	2.6	3.2	2.3	187	189	412	417	0.18	0.21	0.24	0.28	0.35	0.35	0.78	0.87	3.3	3.3	T4	100	M20 80 °C
MVE 202/3	MVE 444/2	3.7	2.6	3.2	2.3	187	189	412	417	0.18	0.21	0.24	0.28	0.35	0.35	0.78	0.87	3.3	3.3	T4	100	M20 80 °C
MVE 300/3	MVE 690/2	6.4	4.5	5.5	3.9	321	323	708	712	0.27	0.28	0.36	0.38	0.52	0.45	0.84	0.89	3.6	3.5	T4	100	M20 80 °C
MVE 400/3	MVE 890/2	7.9	5.7	6.9	4.9	407	411	897	906	0.30	0.36	0.40	0.48	0.58	0.60	0.88	0.88	3.5	3.5	T4	100	M20 80 °C
MVE 500/3	MVE 1200/2	10.3	7.4	8.9	6.4	530	534	1168	1177	0.50	0.58	0.67	0.78	0.96	0.97	0.84	0.87	4.0	4.2	T4	100	M20 80 °C
MVE 700/3	MVE 1700/2	14.9	10.6	12.9	9.2	758	765	1671	1686	0.66	0.75	0.89	1.01	1.25	1.24	0.83	0.88	4.3	5.0	T4	100	M20 80 °C
MVE 800/3	MVE 1800/2	15.7	11.1	13.6	9.6	794	800	1750	1764	0.75	0.90	1.01	1.21	1.45	1.50	0.79	0.84	3.8	3.8	T4	100	M20 80 °C

MVE SINGLE PHASE

MODEL			ELECTRICAL FEATURES																				
			WORKING MOMENT				CENTRIFUGAL FORCE				POWER				CURRENT			CAPACITOR			CLASSII DIV.2	II 2D	CABLE GLAND
			kgcm		inlb		kg		lb		kW		hp		A max			µF			Temp. Class	Temp. Class	Class
50 Hz	60 Hz	60 Hz U.S. Market	50Hz	60Hz	50Hz	60Hz	50Hz	60Hz	50Hz	60Hz	50Hz	60Hz	50Hz	60Hz	230V	220V	115V	220V	220V	115V	T	(°C)	Temp.
MVE 60/3M	MVE 60/36M	MVE 160/2M	1.3	1.0	1.1	0.9	66	71	145	156	0.08	0.09	0.11	0.12	0.43	0.43	1.03	3.0	3.0	6.3	T4	100	M16 80 °C
MVE 100/3M	MVE 100/36M	MVE 220/2M	1.9	1.3	1.7	1.1	98	95	216	209	0.10	0.11	0.13	0.15	0.54	0.54	1.30	4.0	4.0	8.0	T4	100	M16 80 °C
MVE 200/3M	MVE 200/36M	MVE 440/2M	3.7	2.6	3.2	2.3	187	189	412	417	0.18	0.21	0.24	0.28	1.14	1.14	2.62	8.0	8.0	16.0	T4	100	M20 80 °C
MVE 202/3M	MVE 202/36M	MVE 444/2M	3.7	2.6	3.2	2.3	187	189	412	417	0.18	0.21	0.24	0.28	1.14	1.14	2.62	8.0	8.0	16.0	T4	100	M20 80 °C
MVE 300/3M	MVE 300/36M	MVE 690/2M	6.4	4.4	5.5	3.9	321	323	708	712	0.27	0.28	0.36	0.38	1.58	1.58	3.43	12.5	12.5	25.0	T4	100	M20 80 °C

MVE - 2 POLES ELECTRIC VIBRATORS - THREE PHASE OR SINGLE PHASE

APPLICATION Hopper and silo - feeder - screen

POWDER Fine - dry granular

PROBLEM SOLVING Bridge and rat-holing

FEATURES

DUTY CYCLE Continuous - S1

FREQUENCY RANGE From 20Hz to 60Hz [with inverter]

ENVIRONMENT TEMPERATURE From -20 °C to 40 °C (from -4 °F to 104 °F)

MAX NOISE LEVEL 76 dB(a)

ATEX II3D Ex tc IIIC Tx IP66

MATERIAL Aluminium body; aluminium (powder painted) cover

ACCESSORIES

CAPACITOR Available

OPTIONS

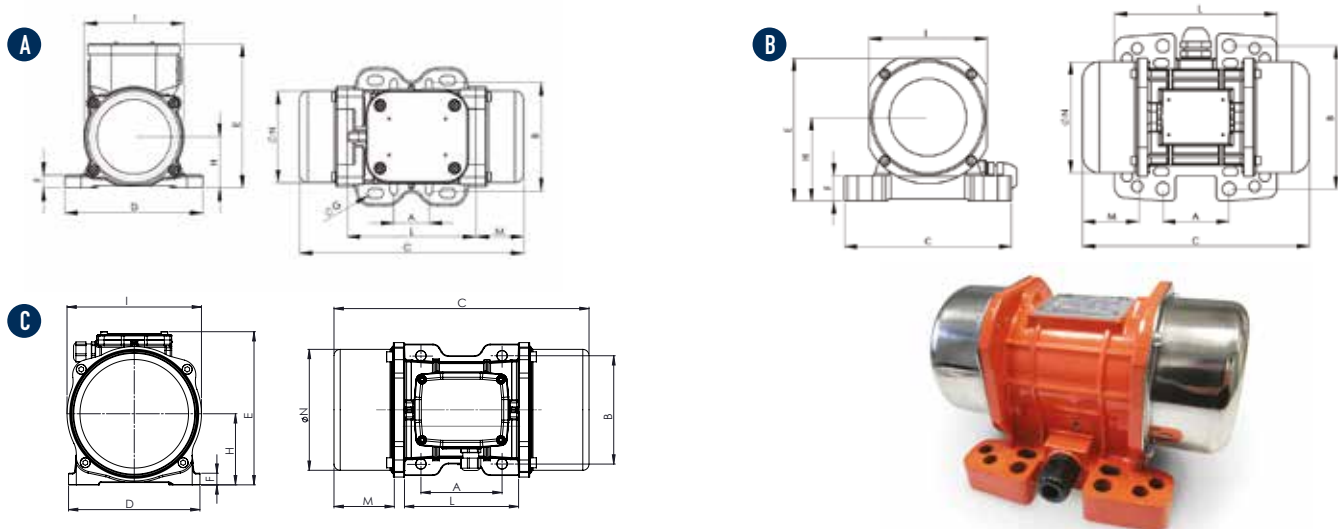
ATEX Ex II 2D Ex t IIIC Tx Db IP66
Ex tb IIIC Tx Db IP66

CUSTOMISED CABLE Available





MVE-DC - Direct current electric vibrators



DIMENSIONAL SPECIFICATIONS

MODEL	DRAWING	SIZE	C		M		A		B		ØG		HOLES N°	D		E		F		H		I		L		N			
			mm	in	mm	in	mm	in	mm	in	mm	in		mm	in	mm	in	mm	in	mm	in	mm	in	mm	in	mm	in	mm	in
			50Hz	50Hz	50Hz	50Hz	mm	in	mm	in	mm	in		mm	in	mm	in	mm	in	mm	in	mm	in	mm	in	mm	in	mm	in
MVE 50 DC 24	A	10	211	8.3	45	1.8	62-74	2.4-2.9	106	4.2	9	0.4	4	130	5.1	136	5.4	12	0.5	48	1.9	94	3.7	121	4.8	85	3.4		
MVE 50 DC 12	A	10	211	8.3	45	1.8	33	1.3	83-102	3.3-4.0	7	0.3	4	130	5.1	136	5.4	12	0.5	48	1.9	94	3.7	121	4.8	85	3.4		
MVE 120 DC 24	B	23	218	8.6	53	2.1	62-74	2.4-2.9	106	4.2	9	0.4	4	164	6.5	140	5.5	25	1.0	82	3.2	116	4.6	159	6.3	110	4.3		
MVE 120 DC 12	B	23	218	8.6	53	2.1	65	2.6	140	5.5	13	0.5	4	164	6.5	140	5.5	25	1.0	82	3.2	116	4.6	159	6.3	110	4.3		
MVE 202 DC 24	B	23	218	8.6	53	2.1	115	4.5	135	5.3	11	0.4	4	164	6.5	140	5.5	25	1.0	82	3.2	116	4.6	159	6.3	110	4.3		
MVE 202 DC 12	B	23	218	8.6	53	2.1	135	5.3	115	4.5	11	0.4	4	164	6.5	140	5.5	25	1.0	82	3.2	116	4.6	159	6.3	110	4.3		
MVE 500 DC 24	C	40	330	13.0	78	3.1	105	4.1	140	5.5	13	0.5	4	170	6.6	196	7.7	15	0.6	92	3.6	174	6.8	174	6.9	160	6.3		
MVE 1500 DC 24	C	50	324	12.8	63	2.5	120	4.7	170	6.7	18	0.7	4	208	8.2	210	8.3	18	0.7	96	3.8	184	7.2	198	7.8	169	6.7		

ELECTRICAL SPECIFICATIONS

MODEL	RPM	WORKING MOMENT		CENTRIFUGAL FORCE		WEIGHT		POWER		MAX CURRENT A	EX II 3D Temp. Class [°C]	CABLE TYPE Class Temp	CABLE GLAND Class Temp
		kgcm	inlb	kg	lb	kg	lb	kW	Hp				
MVE 50 DC 24	3000	1.02	0.89	50	110	4.4	9.7	0.08	0.11	3.3	100	2Gx1.5 90°C	M16 80 °C
MVE 50 DC 12	3000	1.02	0.89	50	110	4.4	9.7	0.08	0.11	6.6	100	2Gx1.5 90°C	M16 80 °C
MVE 120 DC 24	3000	2.14	1.86	117	258	7.2	15.9	0.11	0.15	4.8	100	2Gx1.5 90°C	M20 80 °C
MVE 120 DC 12	3000	2.14	1.86	117	258	7.2	15.9	0.11	0.15	9.6	100	2Gx1.5 90°C	M20 80 °C
MVE 202 DC 24	3000	4.17	3.62	200	441	7.2	15.9	0.16	0.21	6.7	100	2Gx1.5 90°C	M20 80 °C
MVE 202 DC 12	3000	4.17	3.62	200	441	7.2	15.9	0.16	0.21	13.3	100	2Gx1.5 90°C	M20 80 °C
MVE 500 DC 24	3000	10.40	9.03	530	1168	14.4	31.7	0.26	0.35	11.0	100	2Gx1.5 90°C	M20 80 °C
MVE 1500 DC 24	3000	22.40	19.44	1616	3563	21.8	48.1	0.52	0.70	21.5	100	2Gx1.5 90°C	M20 80 °C

MVE-DC - DIRECT CURRENT ELECTRIC VIBRATORS

APPLICATION Dump truck - Concrete pump - automotive hopper - salt spreader - dump trailer

POWDER Granular - Concrete

PROBLEM SOLVING Bridge and rat-holing

FEATURES

DUTY CYCLE Continuous - S1

ENVIRONMENT TEMPERATURE From -20 °C to 40 °C (from -4 °F to 104 °F)

MAX NOISE LEVEL 76 dB(a)

ATEX II 3D Ex tc IIIC Tx IP 66

MATERIAL Body aluminium - stainless steel /aluminium (powder painted) cover

OPTIONS

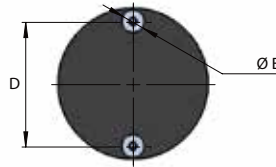
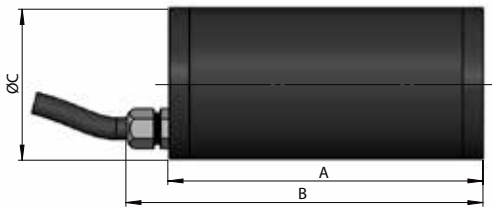
CUSTOMISED CABLE Available



This information is furnished without warranty, representation, inducement or license of any kind. It is accurate to the best OLI knowledge or is obtained from sources believed to be accurate. OLI therefore assumes no legal responsibility.



MVE-DC - Direct current electric vibrators - For industrial sweepers



DIMENSIONAL SPECIFICATIONS

MODEL	A		B		Ø C		D		Ø E	
	mm	in	mm	in	mm	in	mm	in	mm	in
MVE60DC 12	167	6.6	189	7.4	80	3.1	66	2.6	12	0.5
MVE60DC 24	167	6.6	189	7.4	80	3.1	66	2.6	12	0.5
MVE60DC 36	167	6.6	189	7.4	80	3.1	66	2.6	12	0.5
MVE100DC 12	207	8.1	230	9.1	80	3.1	66	2.6	12	0.5
MVE100DC 24	207	8.1	230	9.1	80	3.1	66	2.6	12	0.5
MVE100DC 36	207	8.1	230	9.1	80	3.1	66	2.6	12	0.5

ELECTRICAL SPECIFICATIONS

MODEL	rpm	WORKING MOMENT		CENTRIFUGAL FORCE		WEIGHT		INPUT POWER		MAX CURRENT
		kgcm	inlb	kg	lb	kg	lb	kW	Hp	A
MVE60DC 12	3000	1.19	1.04	60	132.3	3.8	8.4	0.10	0.13	12.7
MVE60DC 24	3000	1.19	1.04	60	132.3	3.8	8.4	0.10	0.13	6.4
MVE60DC 36	3000	1.19	1.04	60	132.3	3.8	8.4	0.10	0.13	4.0
MVE100DC 12	3000	1.99	1.72	100	220.5	4.8	10.6	0.11	0.15	14.0
MVE100DC 24	3000	1.99	1.72	100	220.5	4.8	10.6	0.11	0.15	7.0
MVE100DC 36	3000	1.99	1.72	100	220.5	4.8	10.6	0.11	0.15	4.5

MVE-DC - DIRECT CURRENT ELECTRIC VIBRATORS FOR INDUSTRIAL SWEEPERS

APPLICATION Industrial sweepers

PROBLEM SOLVED Cleaning of dirt collection hopper

FEATURES

DUTY CYCLE Continuous - S1

STANDARD CABLE 1m

ENVIRONMENT TEMPERATURE From -20 °C to 40 °C (from -4 °F to 104 °F)

OPTIONS

CUSTOMISED CABLE Available

EXTERNAL APPLICATION

HYDRAULIC VIBRATORS

PRODUCT SERIES

HYDRAULIC VIBRATOR
MVO 850



APPLICATIONS

Dump trucks
Agricultural
equipment
Digging buckets
Pipeline padder
equipment
Construction
equipment

POWDERS

Hygroscopic,
wet, sticky and
granular powder.
Clay
Fertilizer
Manure
Sludge
Aggregates

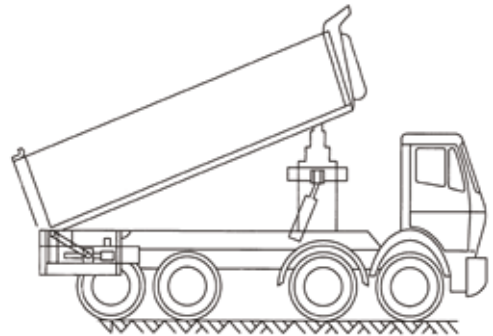
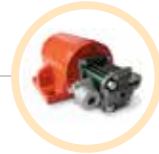
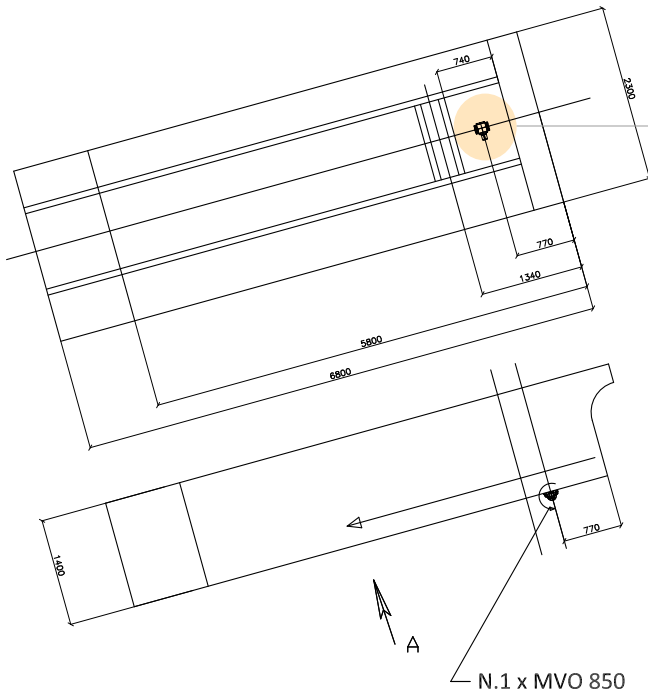
FEATURES

Continuous duty.
Working pressure
from 15 to 300
bar (from 217
to 4.350 PSI).
Working temperature
from -20 to 60 °C
(from -4 to 140 °F).
Max. noise level
80 dB(A).
Speed from 3.000
to 6.000 rpm.

BENEFITS

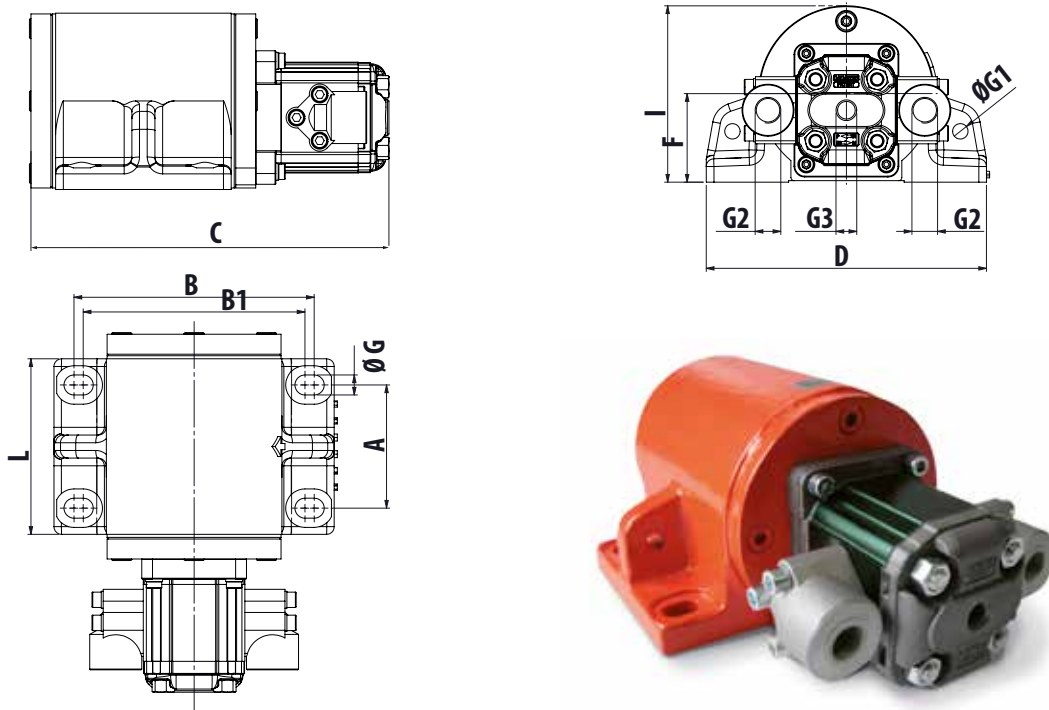
Robust
Safe
Easy to install
Compact design
High Force

APPLICATIONS





MVO - Hydraulic vibrators



DIMENSIONAL SPECIFICATIONS

A		B		B1		C		D		L		F		G		G1		G2		G3		I		Weight	
mm	in	mm	in	mm	in	mm	in	mm	in	mm	in	mm	in	mm	in	mm	in	BSPP	BSPP	mm	in	kg	lb		
80	3.2	156	6.1	144	5.7	233	9.2	182	7.2	115	4.5	58	2.3	13	0.5	10	0.4	3.8"	1/4"	114.5	4.50	11	24		

MECHANICAL FEATURES

MODEL	CENTRIFUGAL FORCE				WORKING MOMENT		STATIC MOMENT		OPERATING PRESS.		MAX PRESSURE	
	3000 rpm		6000 rpm		kgcm	inlb	kgcm	inlb	bar		bar	
	kg	lb	kg	lb					3000 rpm	6000 rpm		
	MVO 850	208	459	830	1830	4.12	3.57	2.06	1.78	70	120	

BEARING LIFE

rpm	CENTRIFUGAL FORCE		BEARING LIFE
	kg	lb	hrs
	3000	208	459
6000	830	1830	6,826

MVO - HYDRAULIC VIBRATORS

APPLICATION Dump trailer - agriculture machine - digging bucket

POWDER Hygroscopic - wet sticky and granular

PROBLEM SOLVING Detaching

FEATURES

DUTY CYCLE Continuous - S1

WORKING PRESSURE From 15 bar to 300 bar (from 217 psi to 4.350 psi)

HYDRAULIC CIRCUIT Flow control valve + filter (mesh 30-60 micron)

ENGINE SIZE 3.12 Cm³/round

WORKING TEMPERATURE From -20 °C to 60 °C (from -4 °F to 140 °F)

OIL VISCOSITY From 20 mm²/sec to 100 mm²/sec

OIL TYPE HLP HV (D in 51524) hydraulic mineral oil

FLOW RATE 2,24 l/min (700 rpm) - 9,6 l/min (3.000 rpm) - 19,2 l/min (6.000 rpm)

MAX NOISE LEVEL 80 dB(a)

MOTOR TYPE XV-1M/3.2

TECHNOLOGY Hydraulic rotary vibrator

MATERIAL Grey cast iron body (RAL 2004 powder painted)

This information is furnished without warranty, representation, inducement or license of any kind. It is accurate to the best OLI knowledge or is obtained from sources believed to be accurate. OLI therefore assumes no legal responsibility.

WHEN YOU NEED IT, WHERE YOU NEED IT.

THE WORLDWIDE LEADER IN VIBRATION TECHNOLOGY

WWW.OLIVIBRA.COM



OLI Headquarters

Via Canalazzo, 35
41036 Medolla (MO) - Italy

+39 0535 41 06 11

info@olivibra.com

OLI worldwide

OLI Australia
OLI Benelux
OLI Brazil
OLI China
OLI France

OLI Germany
OLI India
OLI Italy
OLI Malta
OLI Middle East

OLI Nordic
OLI Russia
OLI South Africa
OLI Spain
OLI Thailand

OLI Turkey
OLI UK
OLI USA